

本佳牌BEYOUNG

步进三自动罗拉车

POST BED COMPOUND FEED SEWING
MACHINE WITH STEP MOTOR

PARTS MANUAL

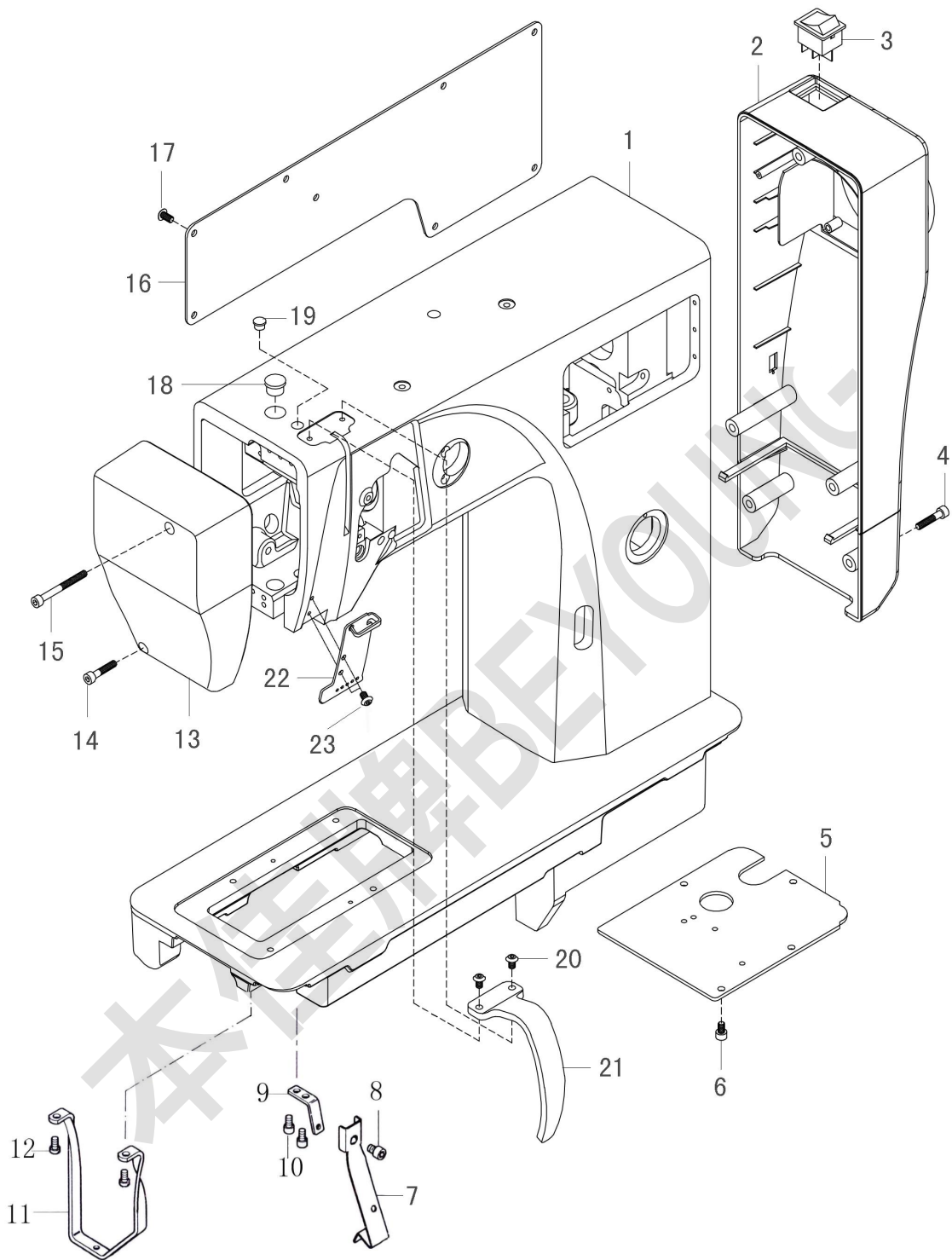
零件手册

本佳牌BEYOUNG

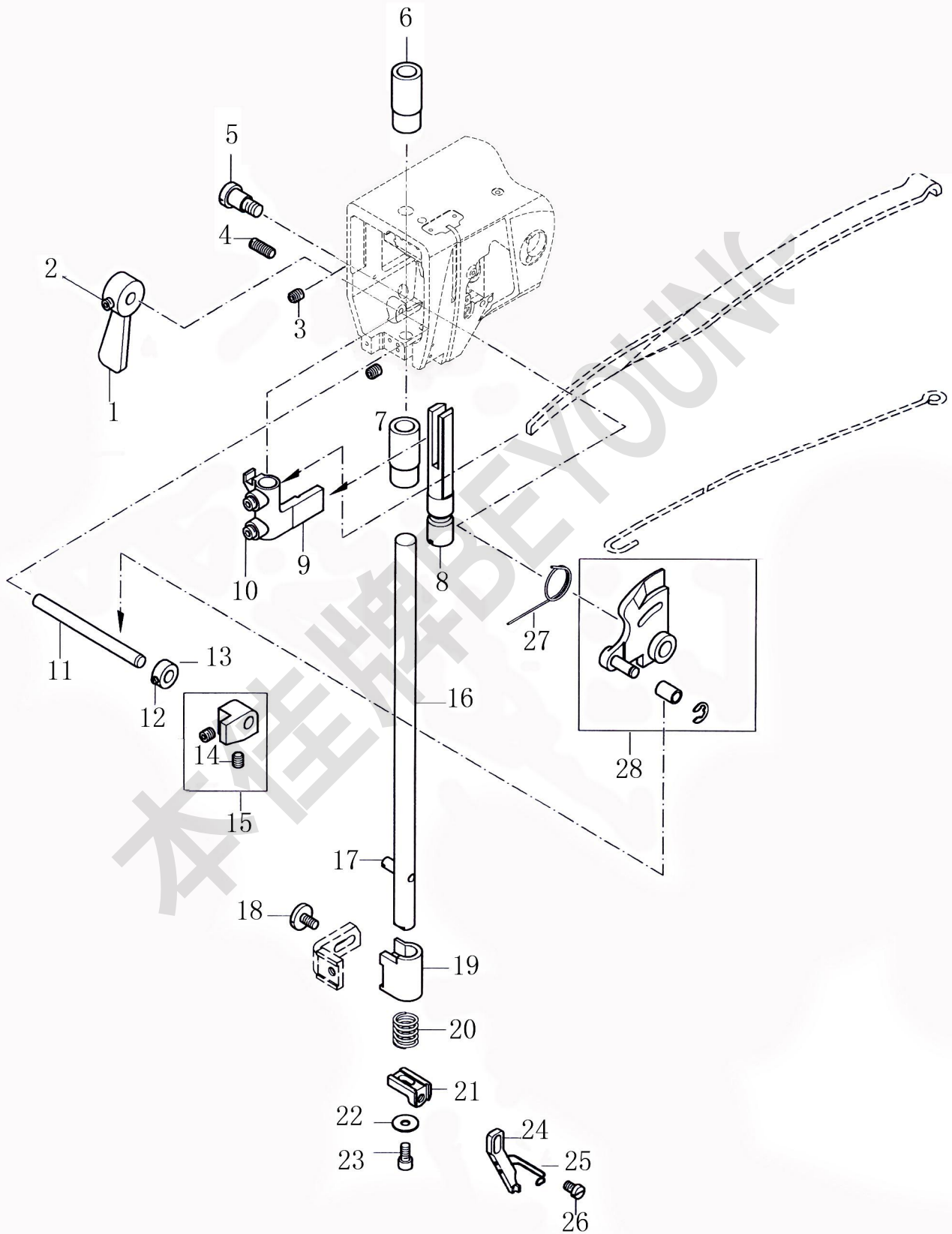
CONTENT 目录

A. Arm bed and its accessories 机壳部件.....	2
B. Presser bar parts 压杆部件.....	4
C. Needle bar holder parts 针棒座部件.....	6
D. Thread tension regulator parts 夹线调节器部件.....	8
E. Main shaft driving parts 主动轴传动部件.....	10
F. Needle feed parts 针送料部件.....	12
G. Presser foot lifting parts 压脚提升部件.....	14
H. Bobbin winder parts 绕线器部件.....	16
I. Bed plate feed parts for 2 needle 双针中座部件.....	18
J. Lower feed and clutch set parts 下送料及离合器部件	20
K. Oil lubrication parts 润滑部件.....	22
L. Hook parts (Left)旋梭勾线、剪线部件（左）	24
M. Side bracket parts (Left)边座部件（左）	26
N. Hook parts (Right)旋梭勾线、剪线部件（右）	28
O. Side bracket parts (Right)边座部件（右）	30
P. Side bracket parts (Short thread end)边座部件（短线头）	32
Q. Thread trimming parts (Short thread end)剪线部件（短线头）	34
R. Bed plate feed parts 单针中座部件.....	36
S. Thread trimming solenoid, thread releasing solenoid parts 剪线、松线电磁铁部件...38	
T. Thread trimming driving parts 剪线传动部件.....	40
U. Presser foot lifting solenoid parts 压脚提升电磁铁部件.....	42
V. Upper feed parts for 1 needle 上送料部件（单针）	44
W. Upper feed parts for 2 needle 上送料部件（双针）	46
X. Electric control, backstitch lever parts 电控及倒缝扳手部件.....	48
Y. Accessories 附件.....	50
Z1. Thread trimming mechanism(Big hole)剪线机构（大梭）	52
Z2. Right side bracket mechanism(Big hole)右边座机构（大梭）	54

A. Arm bed and its accessories 机壳部件



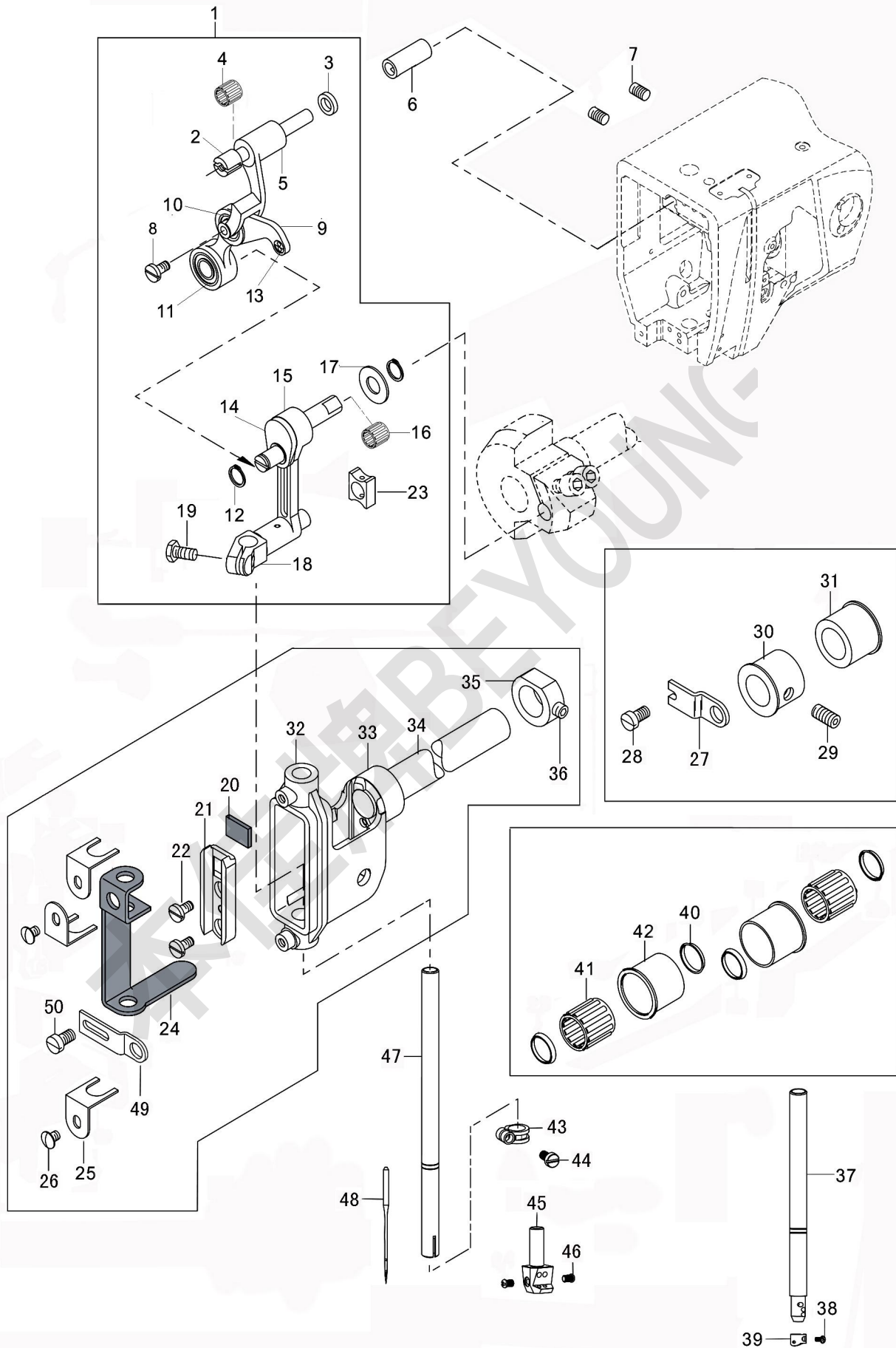
B. Presser bar parts 压杆部件



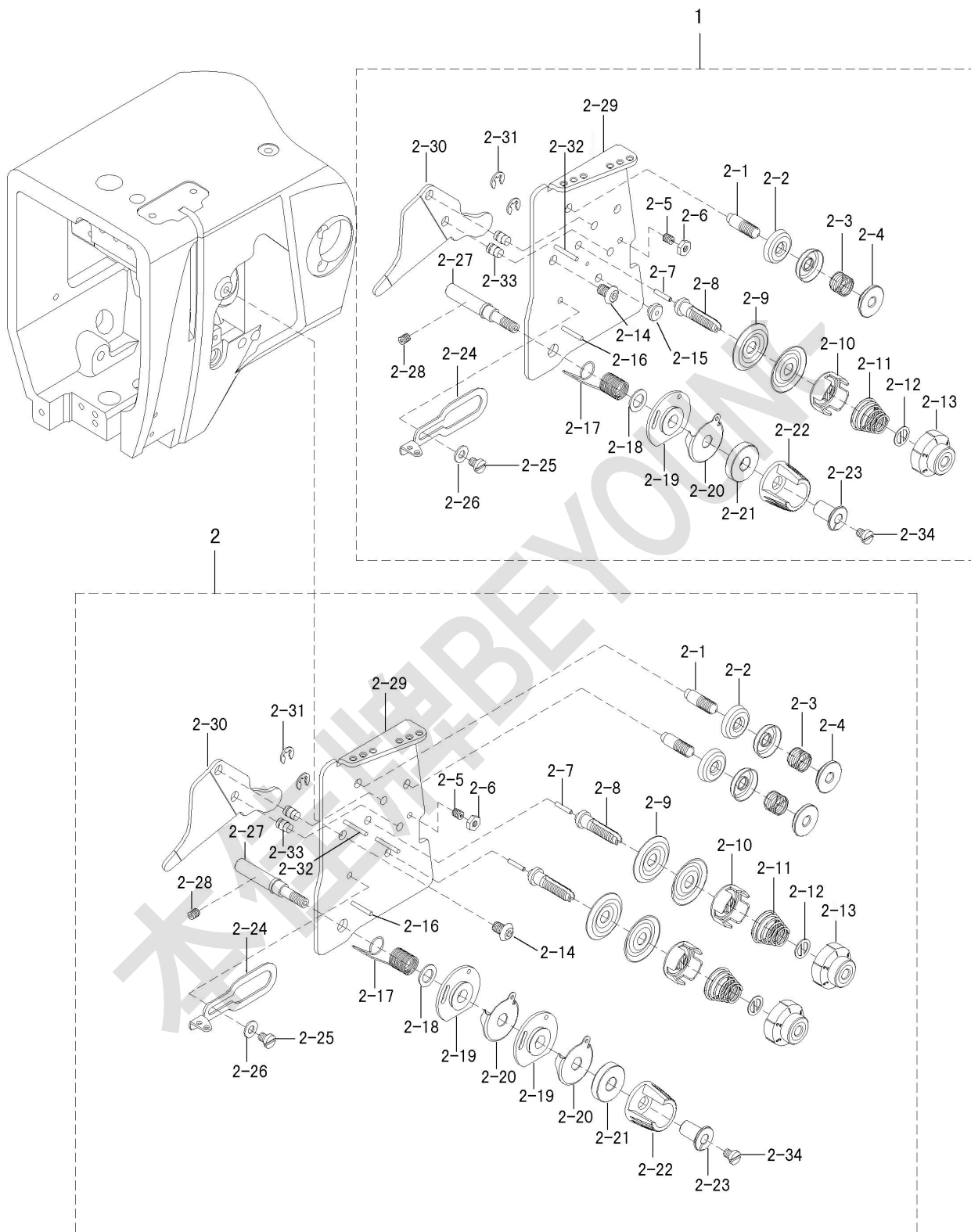
C. Needle bar holder parts 针棒座部件

No.	Part No.	Name	名称	1NEEDLE	2NEEDLE
1	7.02.01.353	Thread take-up assy.	天秤组件	1	1
2	7.02.10.462	Thread take-up fixed pin	天秤固定销	1	1
3		Plastic stop ring	塑料挡圈	2	2
4	7.02.04.005	Needle bearing	滚针轴承	2	2
5	7.02.05.003	Thread take-up holder	天秤固定架	1	1
6	7.02.08.476	Thread take-up shaft bushing	天秤轴套管	1	1
7	7.02.15.049	Set screw	紧定螺钉 GB/T 80 M5×8	2	2
8	7.02.15.065	Screw	螺钉 (单针天秤组件自带)	0	1
9	7.02.05.004	Thread take-up lever	天秤杆	1	1
10	7.02.04.004	Bearing	轴承 624-2Z	1	1
11	7.02.04.003	Bearing	轴承 628/8-2Z	1	1
12	7.02.18.030	Elastic retaining ring	轴用弹性挡圈 GB/T 894.1 8	2	2
13		Thread path	线道	1	1
14	7.02.06.001	Thread take-up crank	天秤曲柄	1	1
15	7.02.05.005	Needle bar connector	针棒连接器	1	1
16	7.02.04.006	Needle bearing	滚针轴承 HK 1010	1	1
17	7.02.18.009	Washer	垫圈	1	1
18	7.02.05.006	Needle bar fixer	针棒固定器	1	1
19	7.02.15.066	Screw	螺钉 M5×10	1	1
20	7.02.16.011	Oil felt	油棉	1	1
21	7.02.12.001	Needle bar connector guide slot	针棒连接器导槽	1	1
22	7.02.15.021	Guide slot screw	导槽螺钉 M4×6	2	2
23	7.02.12.002	Needle bar guide slide block	针棒导引滑块	1	1
24	7.02.16.012	Oil felt	油棉	1	1
25	7.02.17.005	Oil felt holder	油棉压板	3	3
26	7.02.15.022	Oil felt pressing plate screw	油棉压板螺钉 M4×4.5	2	2
27	7.02.17.001	Fixed plate of needle bar holder	针棒座固定板		1
28	7.02.15.022	Fixed plate screw	固定板螺钉 M4		1
29	7.02.15.064	Set screw	紧定螺钉 M6×12		1
30	7.02.08.025	Bushing	套管		1
31	7.02.08.026	Bushing	套管		1
32	7.02.13.522	Needle bar holder	针棒座	1	1
33	7.02.10.012	Pin	锥销	1	1
34	7.02.03.007	Main shaft	针送主轴	1	1
35	7.02.09.001	Collar	定环	1	1
36	7.02.15.054	Set screw	紧定螺钉 M6×0.75×5	1	1
37	7.02.03.006	Needle bar	针棒	1	
38	7.02.15.019	Needle clamp screw	针夹螺钉 M3×4	1	
39	7.02.14.005	Needle bar thread stand	针棒线挂		
40	7.02.18.002	Disk type washer	盘形垫圈	2	
41	7.02.04.010	Needle bearing	滚针轴承 K 15×19×17	2	
42	7.02.08.004	Bushing	套管	2	
43	7.02.08.024	Needle clamp bushing	针夹套管		1
44	7.02.15.040	Bushing screw	套管螺钉		1
45	7.02.02.503	Needle holder	针榴		1
46		Needle holder screw	针榴螺钉		2
47	7.02.03.018	Needle bar	针棒		1
48	7.02.21.016	Needle	机针	1	2
49	7.02.11.626	Vibrating needle stopper plate	摆针限位板	1	
50	7.02.15.964	Stopper plate screw	限位板螺钉	1	

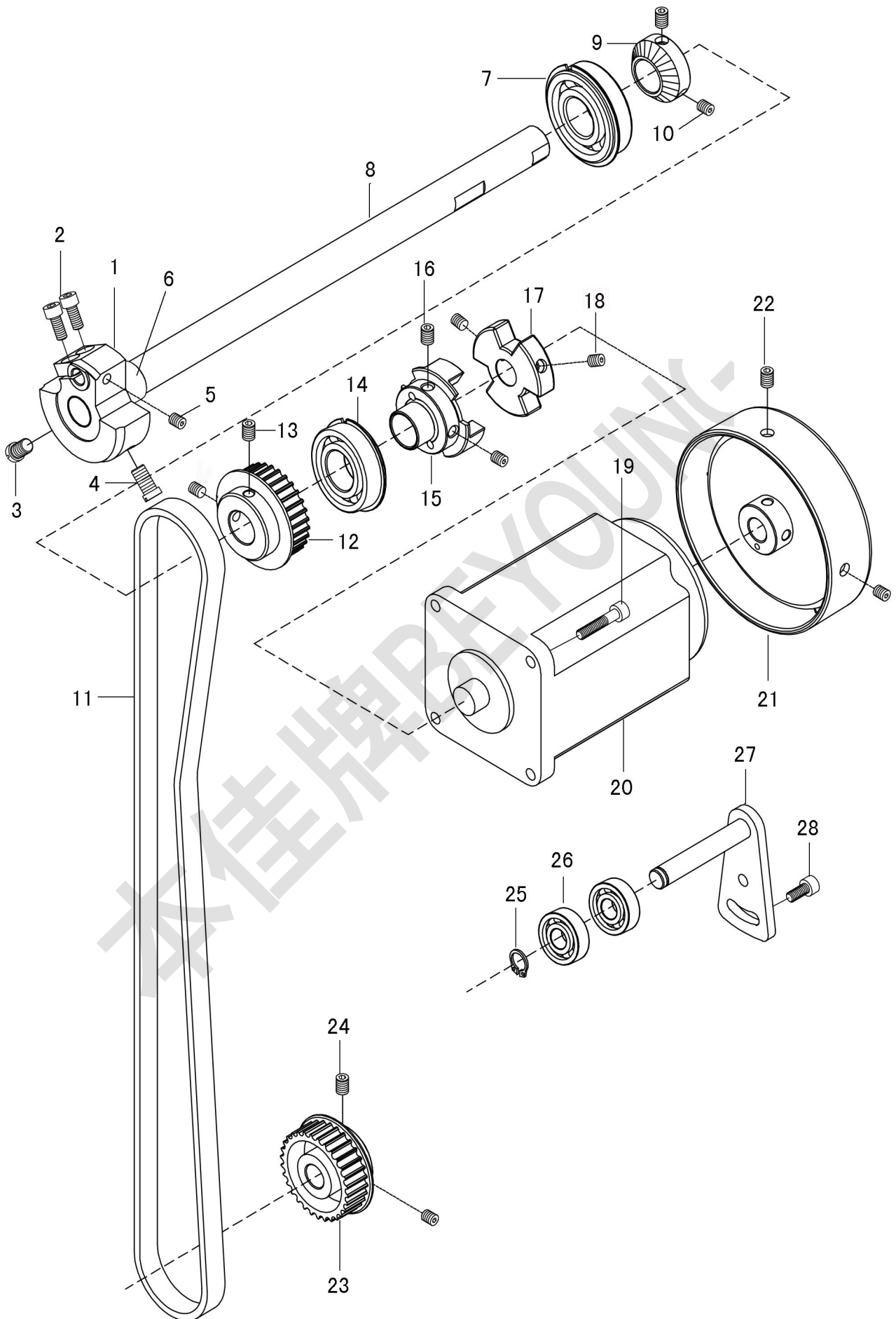
C. Needle bar holder parts 针棒座部件



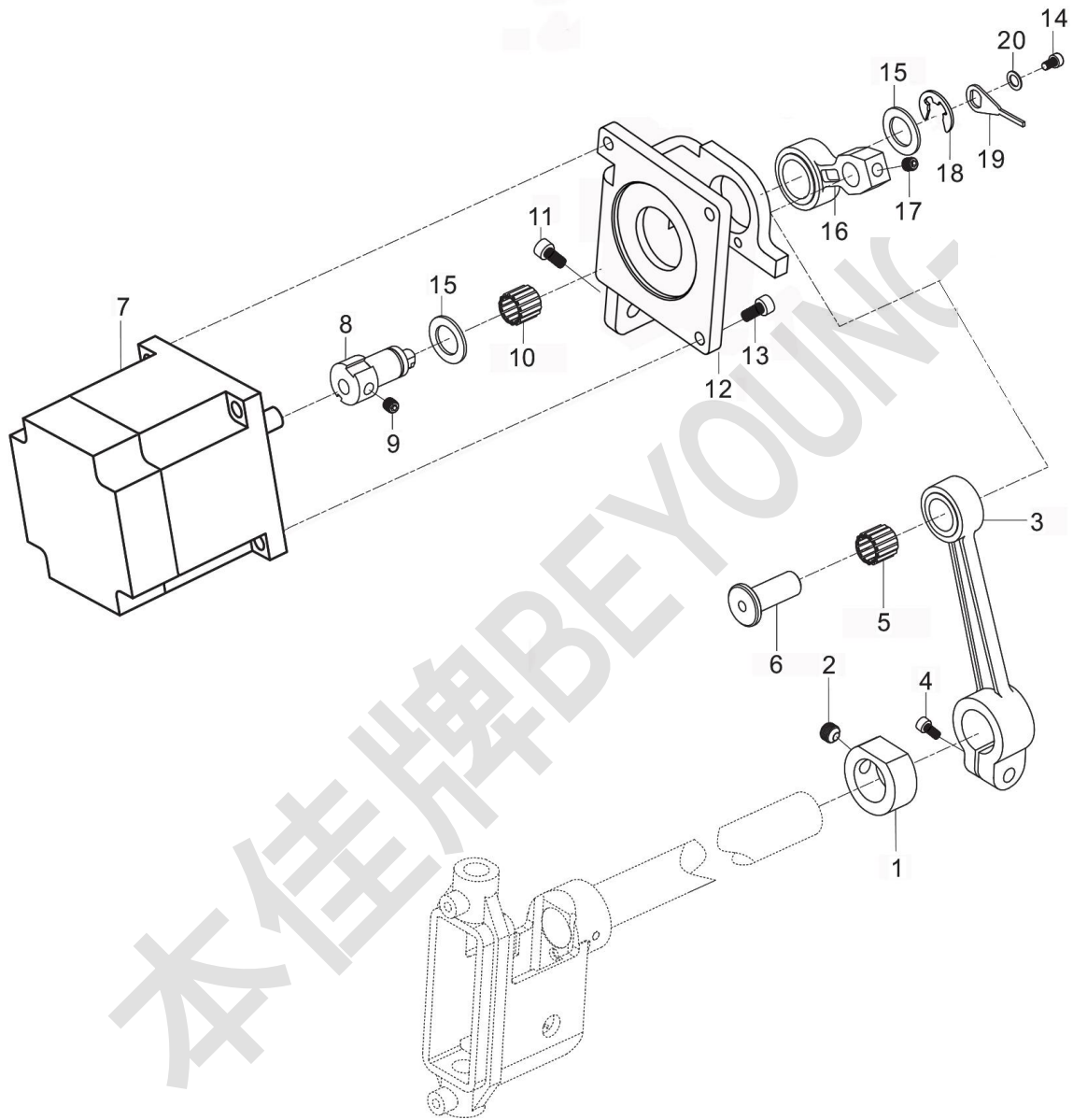
D. Thread tension regulator parts 夹线调节器部件



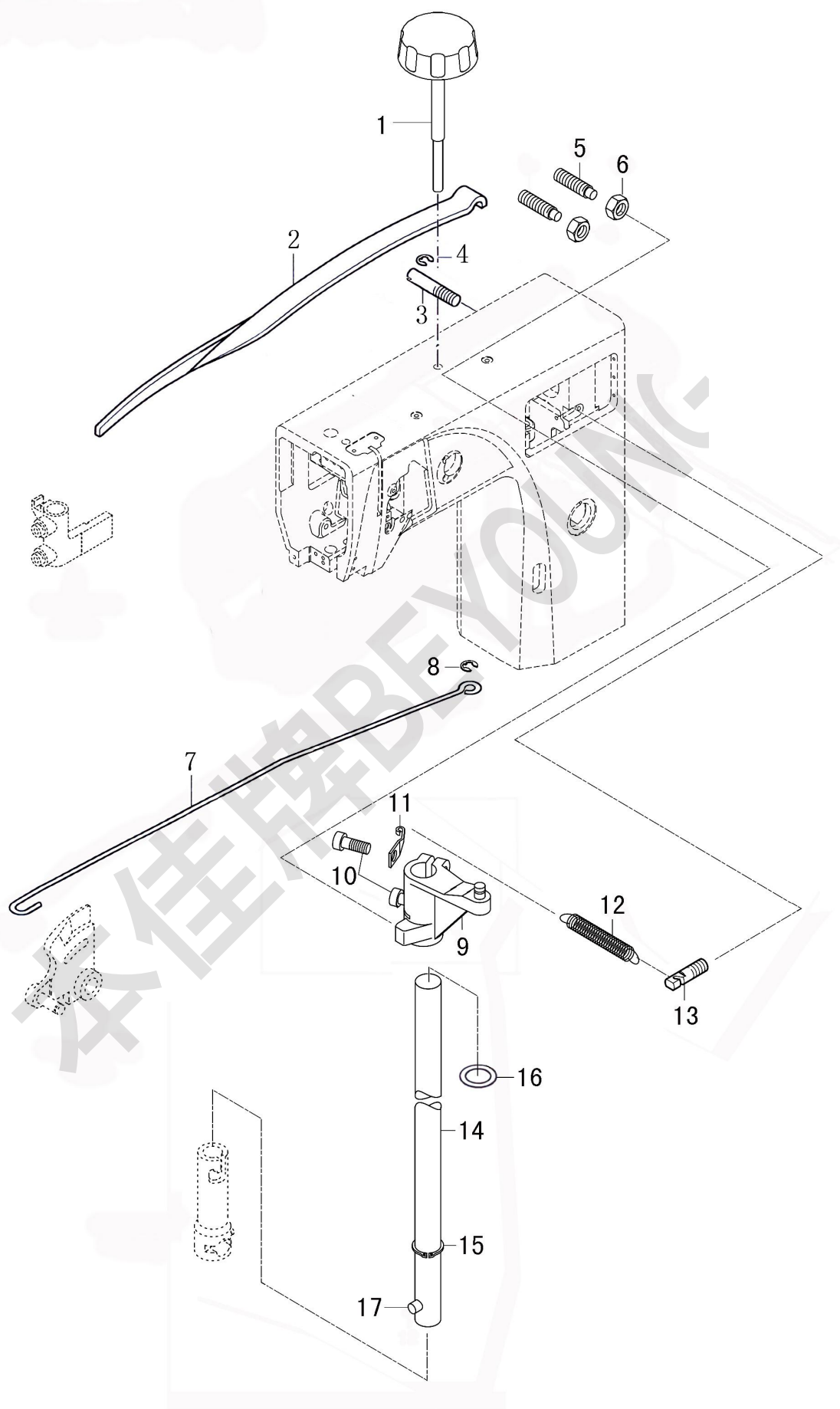
E. Main shaft driving parts 主动轴传动部件



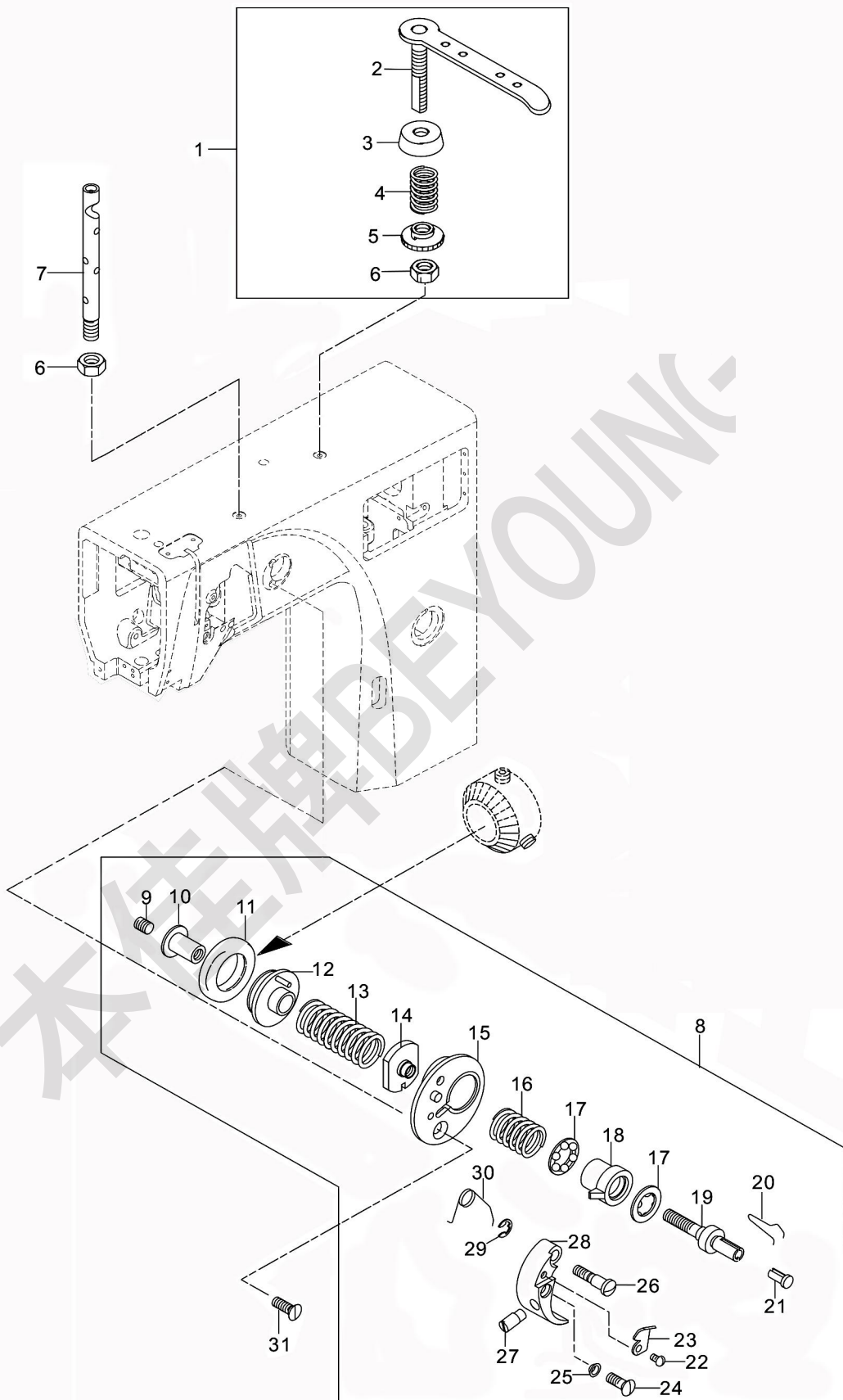
F. Needle feed parts 针送料部件



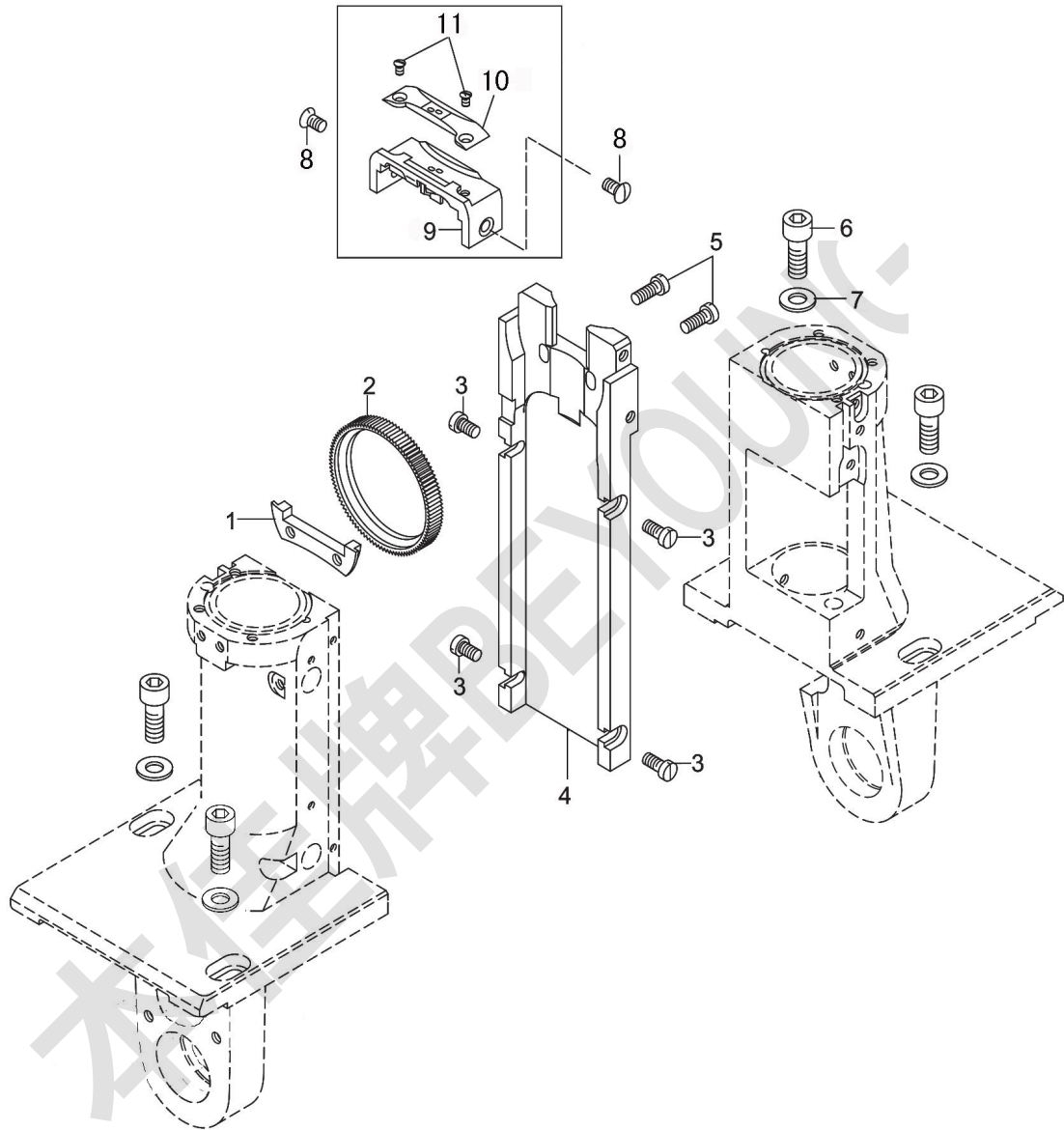
G. Presser foot lifting parts 压脚提升部件



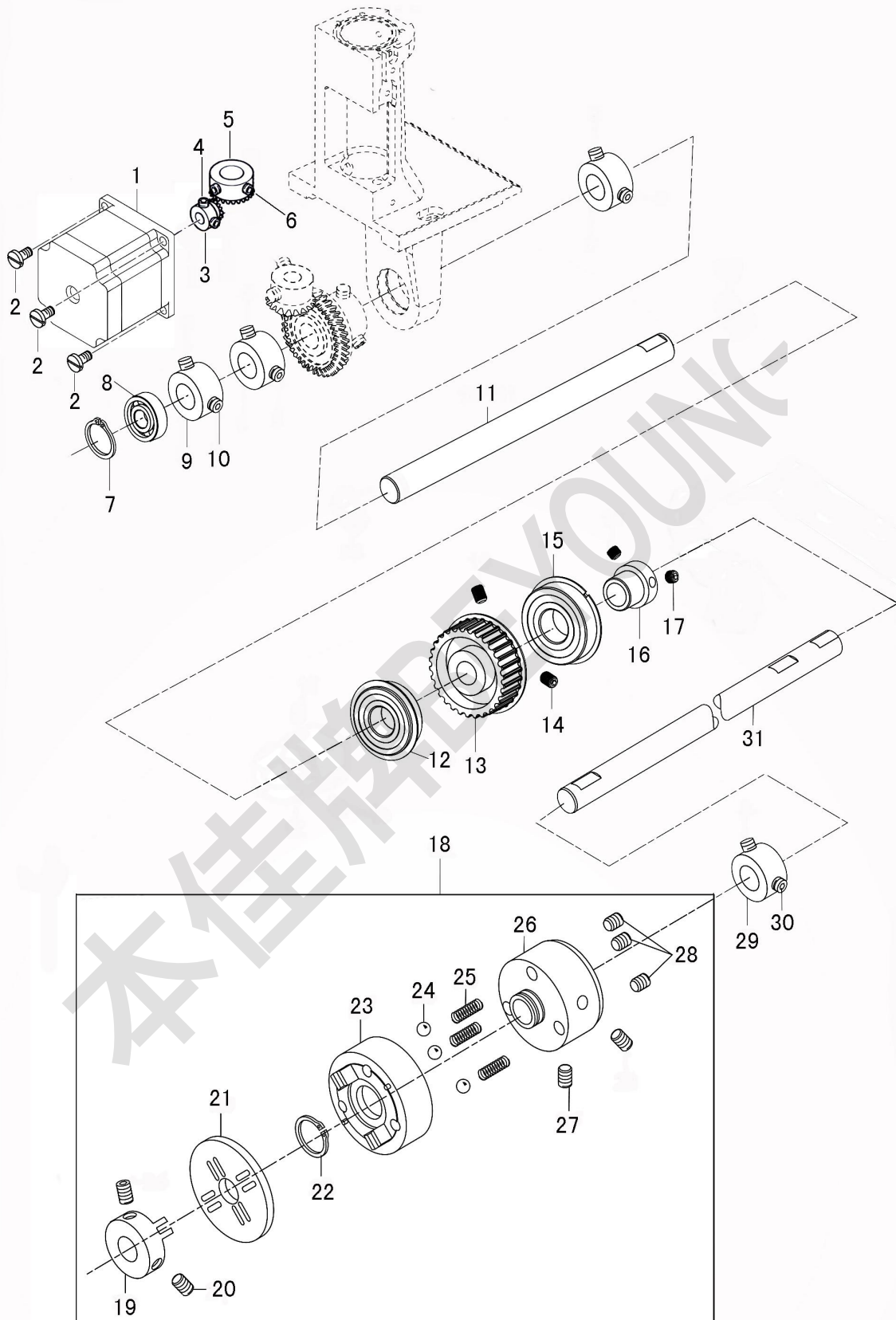
H. Bobbin winder parts 绕线器部件



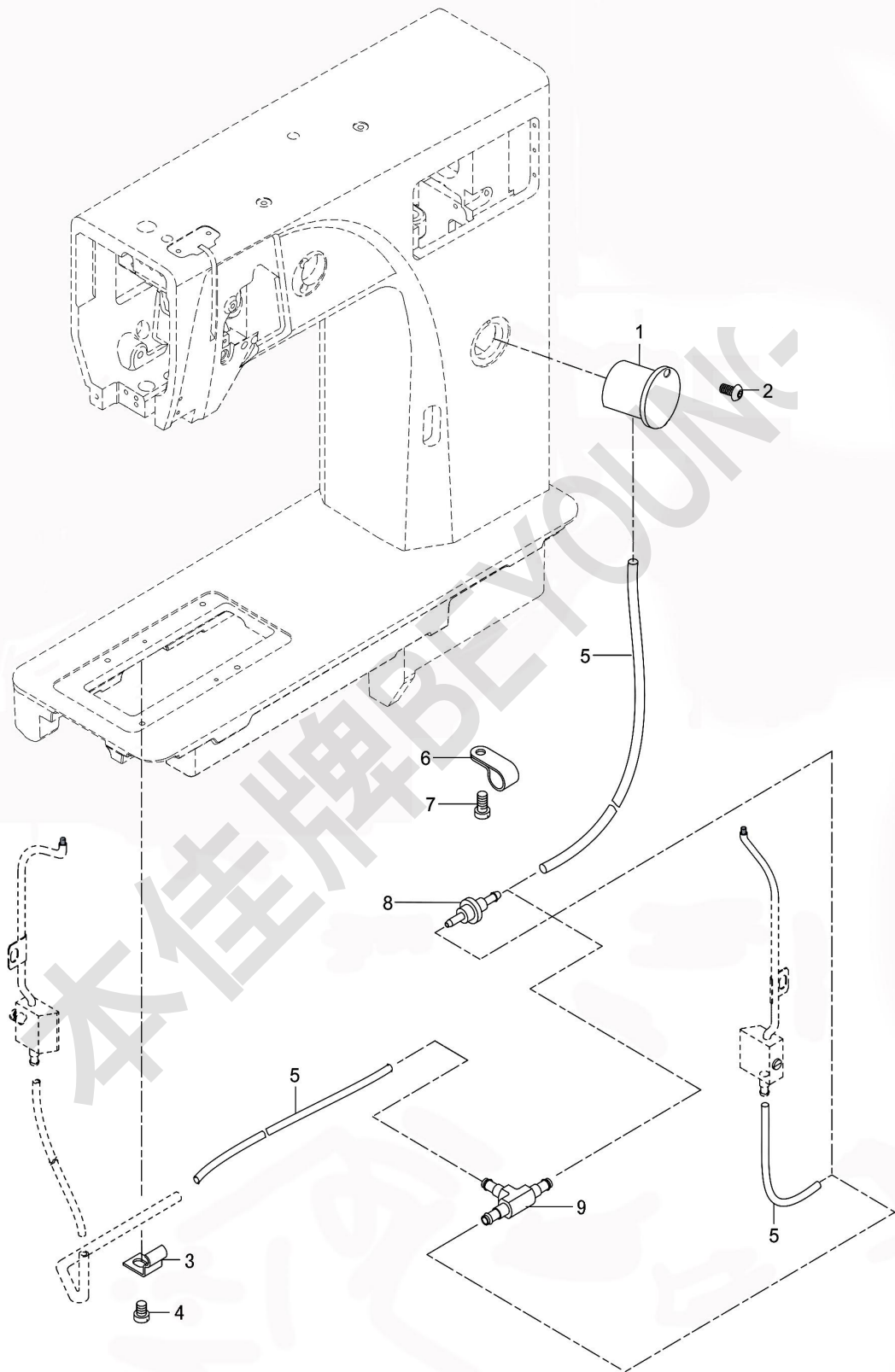
I. Bed plate feed parts for 2 needle 双针中座部件



J. Lower feed and clutch set parts 下送料及离合器部件



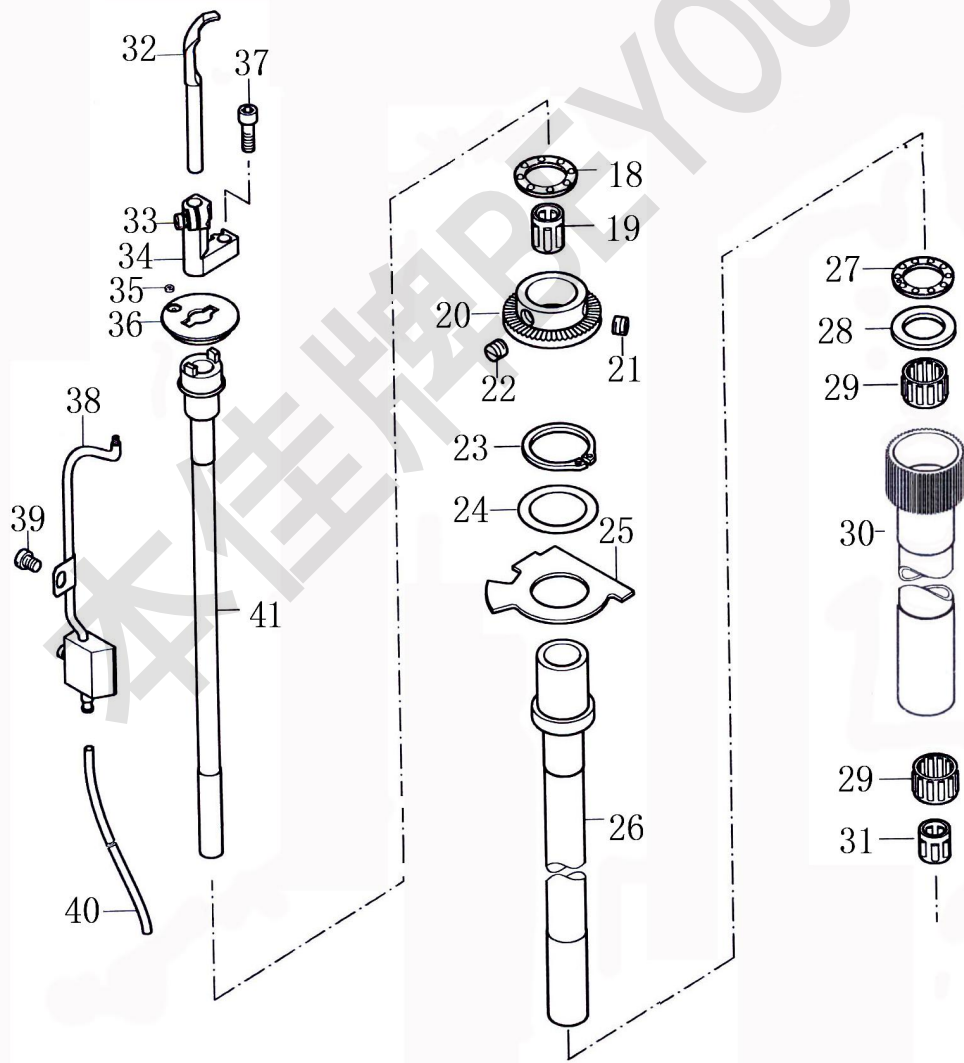
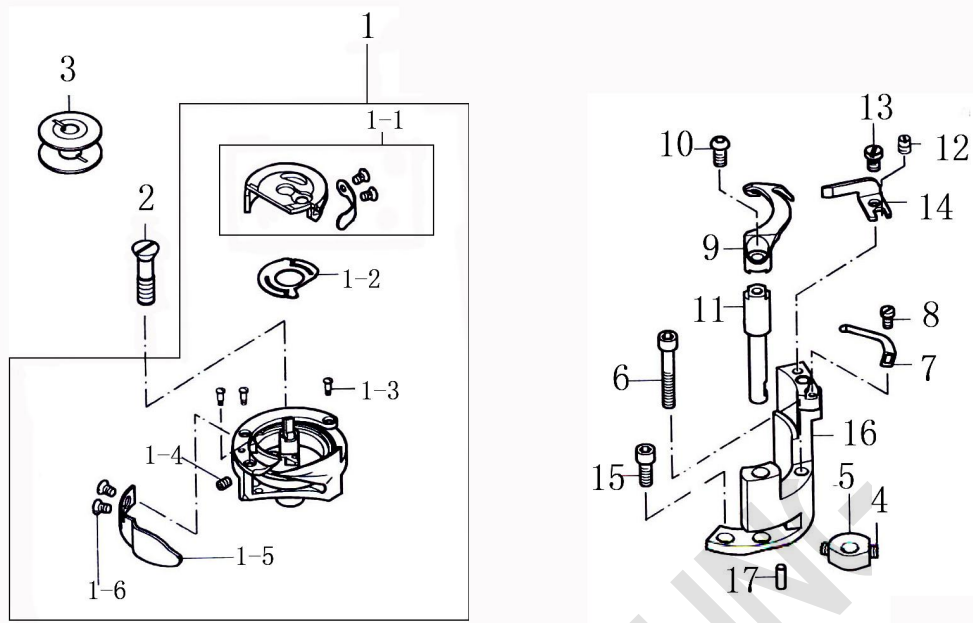
K. Oil lubrication parts 润滑部件



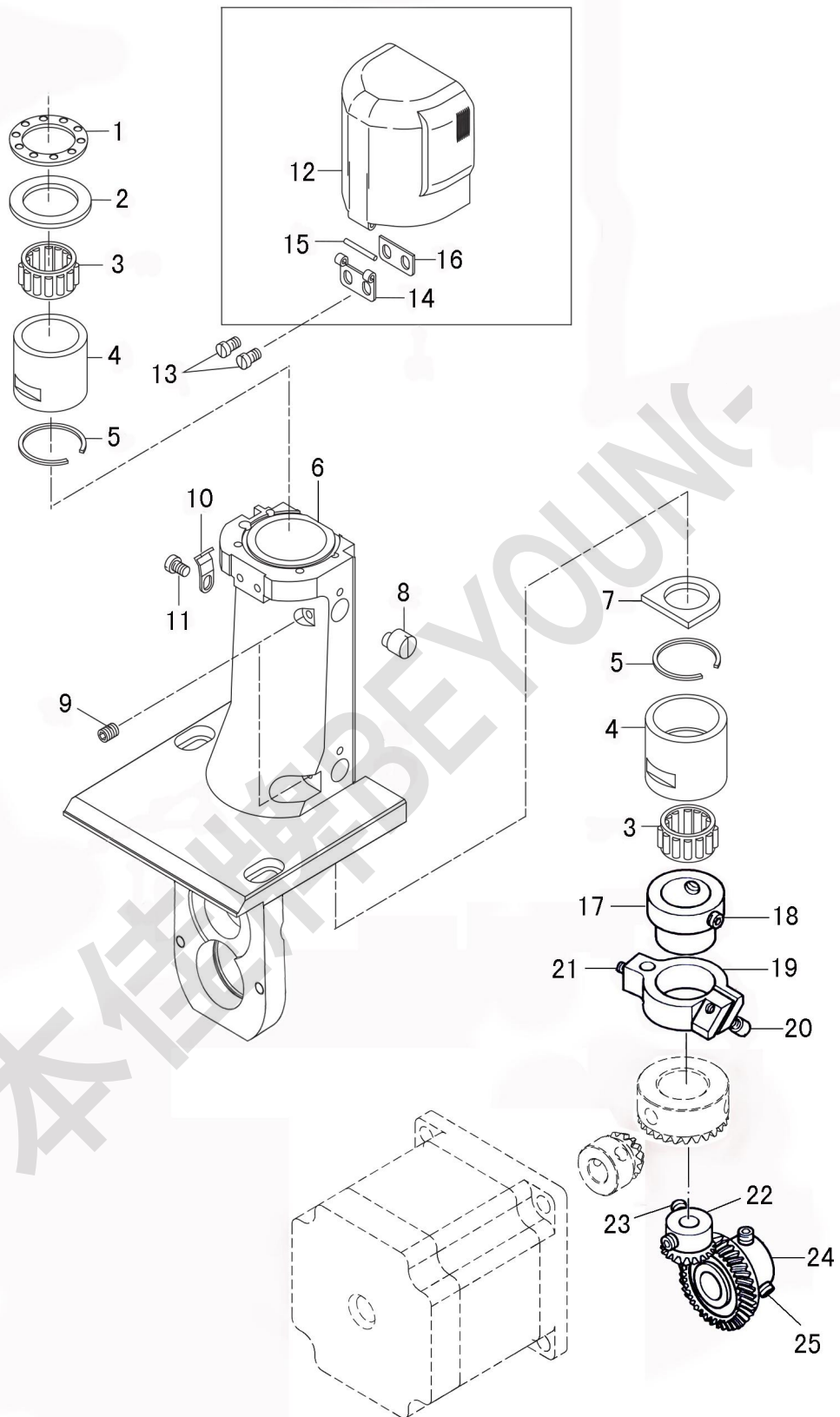
L. Hook parts (Left) 旋梭勾线、剪线部件 (左)

No.	Part No.	Name	名称	1NEEDLE	2NEEDLE
1	7.02.01.285	Hook assy.	旋梭组件		1
1-1		Bobbin case	旋梭壳组		1
1-2		Elastic gasket	阻尼弹片		1
1-3		Screw	螺钉		3
1-4		Screw	螺钉		1
1-5		Needle guard slice	护针片		1
1-6		Screw	护针片螺钉		2
2	7.02.15.038	Screw	旋梭螺钉 M5×20		1
3	7.02.21.385	Bobbin	锁芯		1
4	7.02.15.047	Screw	螺钉 M4		2
5	7.02.07.205	Driven gear	动刀传动齿轮		1
6	7.02.15.799	Screw (Long)	螺钉 (长) GB/T 70.1 M4×25		1
7	7.02.20.051	Thread trimming clamp plate	剪线夹线板		1
8	7.02.15.801	Screw	夹线板螺钉		1
9	7.02.20.052	Movable knife	动刀		1
10	7.02.15.973	Screw	动刀螺钉		1
11	7.02.03.342	Driven shaft	动刀转动轴		1
12	7.02.10.458	Eccentric pin	偏心销		1
13	7.02.15.433	Screw	定刀螺钉 M4×6		1
14	7.02.20.050	Fixed knife	定刀		1
15	7.02.15.063	Screw (Short)	螺钉 (短) GB/T 70.1 M4×10		1
16	7.02.01.352	Movable knife bracket	动刀架组件		1
17	7.02.10.370	Position pin	定位销		1
18	7.02.04.019	Bearing	平面轴承		1
19	7.02.04.018	Needle bearing	滚针轴承 K8×11×13		1
20	7.02.07.206	Gear	送料平面齿轮		1
21	7.02.15.054	Screw	齿轮螺钉 M6×0.75×5		1
22	7.02.15.247	Set screw	齿轮紧定螺钉 1/4×40×4		2
23	7.02.18.255	Elastic retaining ring	轴用弹性挡圈		1
24	7.02.18.256	Washer	垫圈		1
25	7.02.11.386	Oil guard plate	防油板		1
26	7.02.08.027	Bushing	釜轴中套管		1
27	7.02.04.113	Bearing	推力轴承 BTM14222.5		1
28	7.02.18.257	Washer	垫圈		1
29	7.02.04.020	Bearing	轴承 K14×17×10		2
30	7.02.01.356	Bushing	釜轴外套管		1
31	7.02.04.009	Needle bearing	滚针轴承 K8×11×10		1
32	7.02.01.288	Thread distributing claw	分线勾		1
33	7.02.15.420	Screw	螺钉 GB/T 65 M4×6		1
34	7.02.01.289	Thread distributing claw bracket	分线勾座		1
35	7.02.16.300	Seal ring	密封圈		1
36	7.02.11.385	Oil supply plate	旋梭供油板		1
37	7.02.15.577	Screw	螺钉 GB/T 70.1 M4×12		1
38	7.02.16.303	Oil supply valve	旋梭供油阀组件		1
39	7.02.15.022	Screw	螺钉 M4×4.5		1
40	7.02.16.047	Oil tube	油管		1
41	7.02.03.340	Shaft	旋梭轴		1

L. Hook parts (Left) 旋梭勾线、剪线部件 (左)



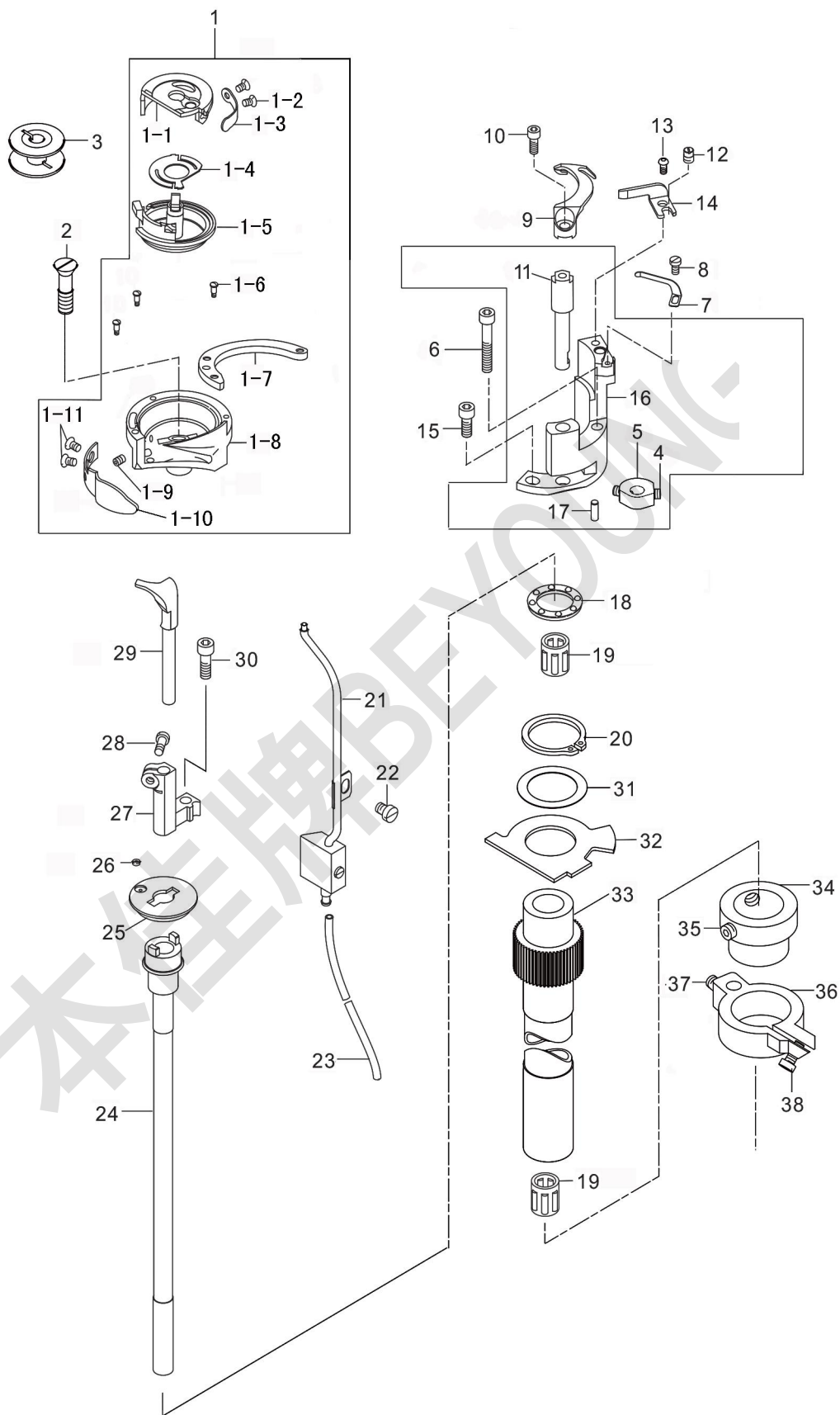
M. Side bracket parts (Left) 边座部件 (左)



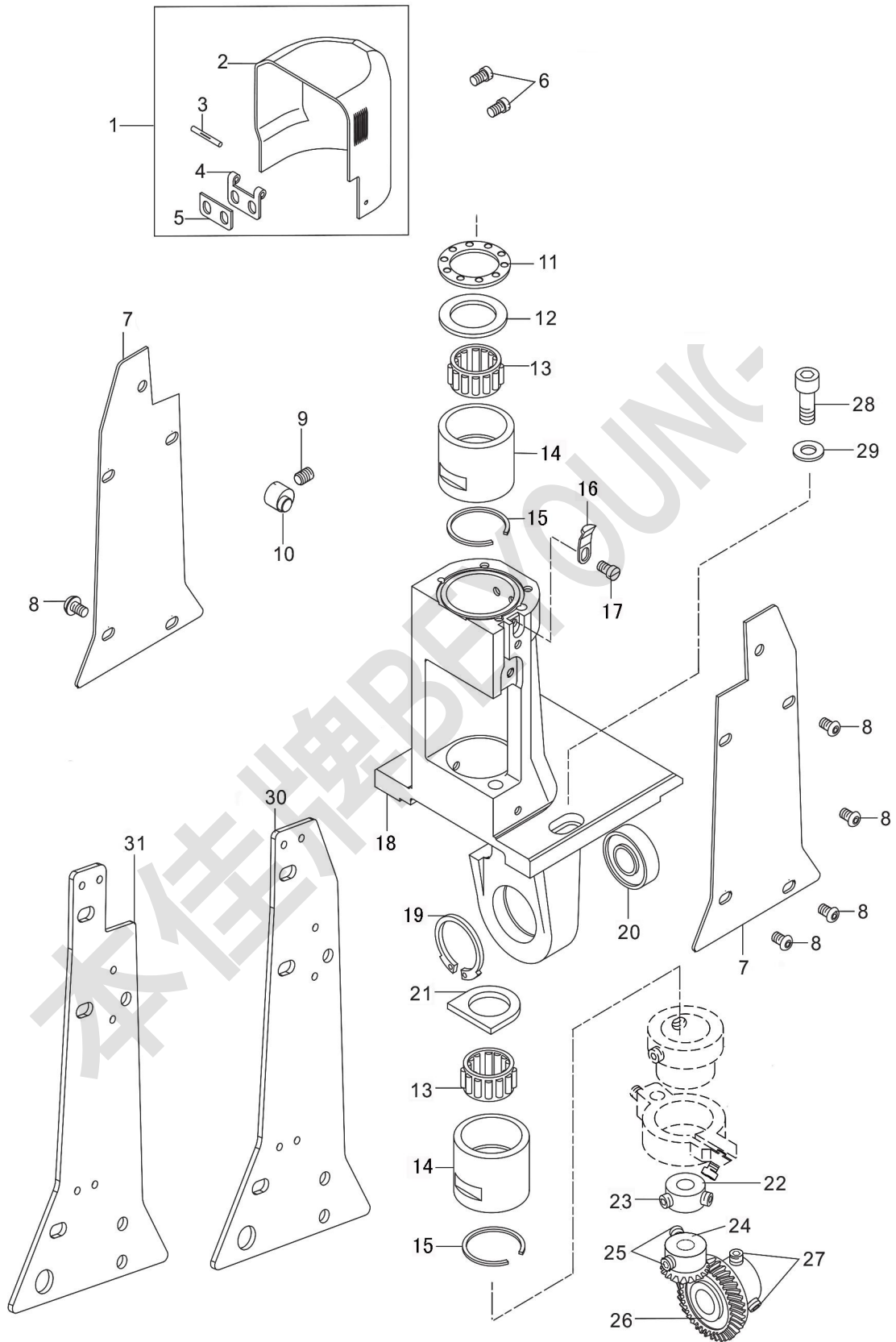
N. Hook parts (Right) 旋梭勾线、剪线部件 (右)

No.	Part No.	Name	名称	1NEEDLE	2NEEDLE
1	7.02.01.285	Hook assy.	旋梭组件	1	1
1-1		Hook-top	梭头体	1	1
1-2		Screw	板式弹簧螺钉	2	2
1-3		Spring	板式弹簧	1	1
1-4		Elastic gasket	阻尼弹片	1	1
1-5		Bobbin case base	梭壳	1	1
1-6		Screw	螺钉	3	3
1-7		Hook gib	内梭头舌	1	1
1-8		Bobbin case	梭壳	1	1
1-9		Screw	螺钉	1	1
1-10		Needle guard slice	护针片	1	1
1-11		Screw	护针片螺钉	2	2
2	7.02.15.038	Screw	旋梭螺钉 M5×20	1	1
3	7.02.21.385	Bobbin	梭心	1	1
4	7.02.15.047	Screw	螺钉	2	2
5	7.02.07.205	Driven gear	动刀传动齿轮	1	1
6	7.02.15.799	Screw (Long)	螺钉 (长) GB/T 70.1 M4×25	1	1
7	7.02.20.051	Thread trimming clamp plate	剪线夹线板	1	1
8	7.02.15.801	Screw	夹线板螺钉	1	1
9	7.02.20.052	Movable knife	动刀	1	1
10	7.02.15.973	Screw	动刀螺钉	1	1
11	7.02.03.342	Driven shaft	动刀传动轴	1	1
12	7.02.10.458	Eccentric pin	偏心销	1	1
13	7.02.15.433	Screw	定刀螺钉 M4×6	1	1
14	7.02.20.050	Fixed knife	定刀	1	1
15	7.02.15.063	Screw (Short)	螺钉 (短) GB/T 70.1 M4×10	1	1
16	7.02.01.352	Movable knife bracket	动刀架组件	1	1
17	7.02.10.370	Restrict pin	限位销	1	1
18	7.02.04.019	Bearing	平面轴承	1	1
19	7.02.04.018	Needle bearing	滚针轴承	2	2
20	7.02.18.251	Elastic retaining ring	轴用弹性挡圈 GB/T 894.1 21	1	1
21	7.02.16.303	Oil supply valve	旋梭供油阀组件	1	1
22	7.02.15.022	Fixed screw	供油阀固定螺钉	1	1
23	7.02.16.047	Oil tube	油管	1	1
24	7.02.03.340	Shaft	釜轴	1	1
25	7.02.11.385	Oil supply plate	旋梭供油板	1	1
26	7.02.16.300	Seal ring	密封圈	1	1
27	7.02.01.289	Thread distributing claw bracket	分线勾座	1	1
28	7.02.15.420	Screw	螺钉 GB/T 65 M4×6	1	1
29	7.02.01.288	Thread distributing claw	分线勾	1	1
30	7.02.15.577	Screw	螺钉 GB/T 70.1 M4×12	1	1
31	7.02.18.252	Washer	垫圈	1	1
32	7.02.11.386	Oil guard plate	防油板	1	1
33	7.02.08.392	Bushing	釜轴套管	1	1
34	7.02.09.080	Bushing collar	釜轴套管紧圈	1	1
35	7.02.15.054	Screw	螺钉 M6×0.75×6	2	2
36	7.02.06.279	Thread trimming crank	剪线曲柄	1	1
37	7.02.15.056	Crank screw	曲柄螺钉 GB/T 74 M5×5	1	1
38	7.02.15.063	Set screw	紧定螺钉 GB/T 70.1 M4×10	1	1

N. Hook parts (Right) 旋梭勾线、剪线部件 (右)



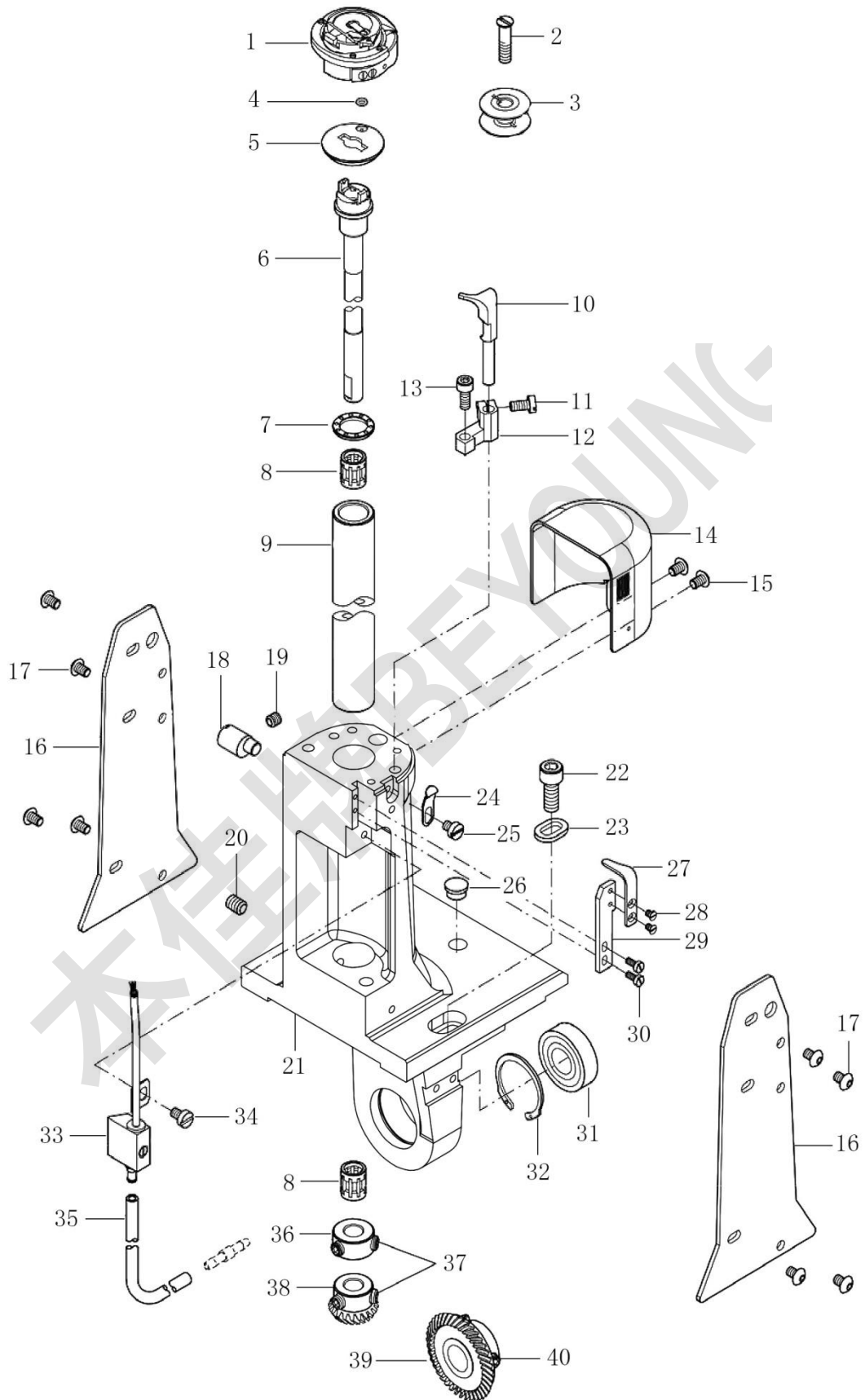
0. Side bracket parts (Right) 边座部件 (右)



P. Side bracket parts (Short thread end) 边座部件 (短线头)

No.	Part No.	Name	名称	1NEEDLE	2NEEDLE
1	7.02.02.392	Hook assy.	旋梭组件	1	
2	7.02.15.038	Screw	旋梭螺钉	1	
3	7.02.21.385	Bobbin	梭芯	1	
4	7.02.16.300	Sealing ring	密封圈	1	
5	7.02.11.385	Oil supply plate	旋梭供油板	1	
6	7.02.03.340	Shaft	旋梭轴	1	
7	7.02.04.019	Bearing	推力轴承	1	
8	7.02.04.018	Needle bearing	滚针轴承	2	
9	7.02.08.600	Bushing	釜轴套管	1	
10	7.02.02.662	Thread distributing claw	分线勾	1	
11	7.02.15.420	Screw	螺钉	1	
12	7.02.02.663	Thread distributing claw bracket	分线勾座	1	
13	7.02.15.577	Screw	螺钉	1	
14	7.02.02.661	Post cap	釜盖	1	
15	7.02.15.973	Screw	螺钉	2	
16	7.02.11.650	Cover plate	边盖板	2	
17	7.02.15.973	Screw	螺钉	8	
18	7.02.10.590	Adjusting pin	调整销	1	
19	7.02.15.056	Set screw	紧定螺钉	1	
20	7.02.15.057	Set screw	釜轴套管紧定螺钉	1	
21	7.02.13.501	Side bracket (Right)	右边座	1	
22	7.02.15.965	Screw	螺钉	2	
23	7.02.18.003	Washer	垫片	2	
24	7.02.17.420	Elastic gasket	釜盖弹片	1	
25	7.02.15.433	Screw	螺钉	1	
26	7.02.16.559	Rubber plug	橡胶塞	1	
27	7.02.11.660	Thread guide	拦线板	1	
28	7.02.15.1144	Screw	拦线板螺钉	2	
29	7.02.11.661	Thread guide fixed plate	拦线板固定板	1	
30	7.02.15.674	Screw	螺钉	2	
31	7.02.04.110	Ball bearing	滚珠轴承	1	
32	7.02.18.250	Elastic retaining ring	孔用弹性挡圈	1	
33	7.02.16.560	Oil qty.regulating valve assy.	油量调节阀组件	1	
34	7.02.15.022	Screw	螺钉	1	
35	7.02.16.047	Oil tube	油管	1	
36	7.02.09.115	Collar	紧圈	1	
37	7.02.15.054	Screw	螺钉	4	
38	7.02.07.011	Gear (Small)	齿轮(小)	1	
39	7.02.07.012	Gear (Large)	齿轮(大)	1	
40	7.02.15.050	Screw	螺钉	2	

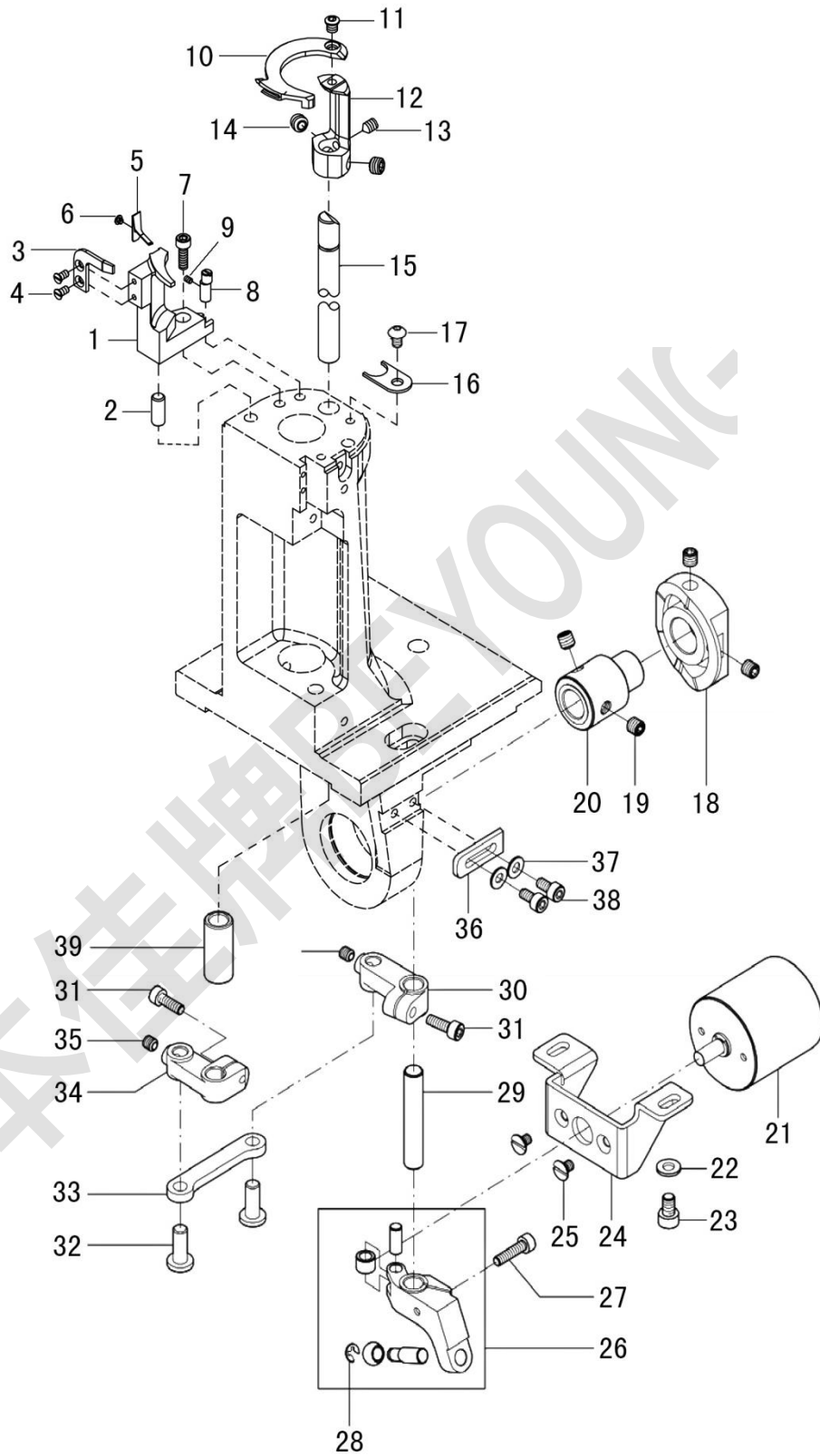
P. Side bracket parts (Short thread end) 边座部件 (短线头)



Q. Thread trimming parts (Short thread end) 剪线部件 (短线头)

No.	Part No.	Name	名称	1NEEDLE	2NEEDLE
1	7.02.13.510	Fixed knife seat	定刀座	1	
2	7.02.10.601	Position pin	定刀座定位销	1	
3	7.02.20.101	Fixed knife	定刀	1	
4	7.02.15.1093	Screw	定刀螺钉	2	
5	7.02.20.102	Thread clamping plate	夹线板	1	
6	7.02.15.1104	Screw	夹线板螺钉	2	
7	7.02.15.731	Screw	定刀座螺钉	1	
8	7.02.10.600	Adjusting pin	定刀座调整销	1	
9	7.02.15.047	Set screw	调整销紧定螺钉	1	
10	7.02.20.100	Movable knife	动刀	1	
11	7.02.15.1095	Screw	动刀螺钉	1	
12	7.02.13.476	Movable knife seat	动刀座	1	
13	7.02.15.1136	Screw	动刀座调整螺钉	1	
14	7.02.15.054	Screw	螺钉	2	
15	7.02.03.540	Movable knife shaft	动刀轴	1	
16	7.02.11.652	Stopper plate	限位板	1	
17	7.02.15.973	Screw	螺钉	1	
18	7.02.05.560	Thread trimming cam	剪线凸轮	1	
19	7.02.15.050	Screw	螺钉	4	
20	7.02.08.576	Thread trimming cam bushing	剪线凸轮衬套	1	
21	7.02.19.420	Thread trimming solenoid	剪线电磁铁	1	
22	7.02.18.016	Washer	垫圈	2	
23	7.02.15.803	Screw	螺钉	2	
24	7.02.12.337	Thread trimming solenoid fixed plate	剪线电磁铁固定板	1	
25	7.02.15.797	Screw	剪线电磁铁螺钉	2	
26	7.02.05.543	Thread trimming vibrating crank assy.	剪线摆动曲柄组件	1	
27	7.02.15.572	Screw	螺钉	1	
28	7.02.18.048	Split retaining ring	开口挡圈	1	
29	7.02.10.566	Thread trimming vibrating shaft	剪线摆杆轴	1	
30	7.02.05.545	Thread trimming crank (right)	剪线曲柄(右)	1	
31	7.02.15.577	Screw	曲柄螺钉	2	
32	7.02.10.567	Link pin	连杆销	2	
33	7.02.05.561	Thread trimming link	剪线连杆	1	
34	7.02.05.562	Thread trimming crank	剪线曲柄	1	
35	7.02.15.056	Set screw	紧定螺钉	2	
36	7.02.12.335	Crank stopper block	曲柄限位块	1	
37	7.02.18.071	Washer	垫圈	2	
38	7.02.15.555	Screw	螺钉	2	
39	7.02.08.601	Movable knife bushing	动刀轴套	1	

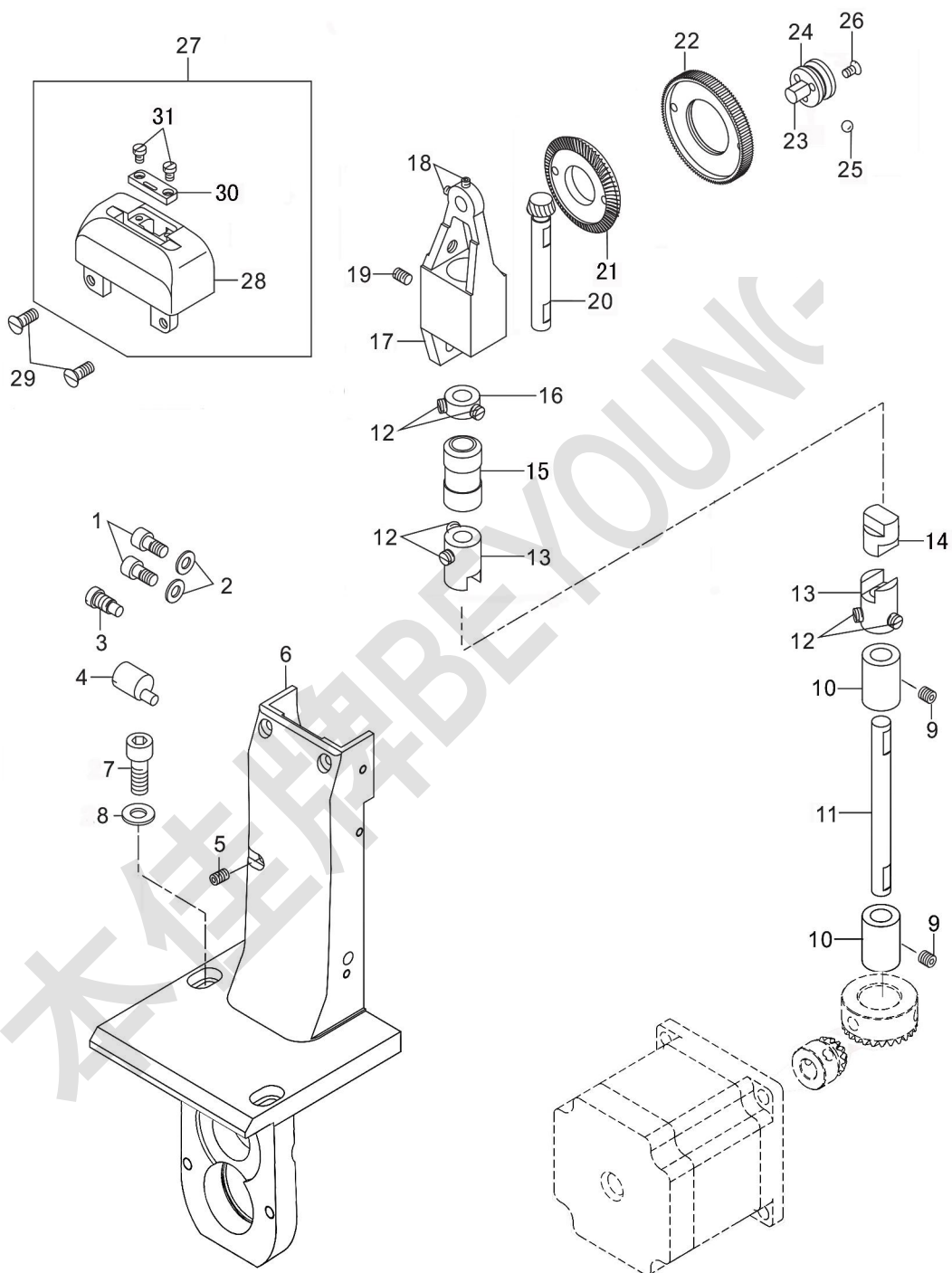
Q. Thread trimming parts (Short thread end) 剪线部件 (短线头)



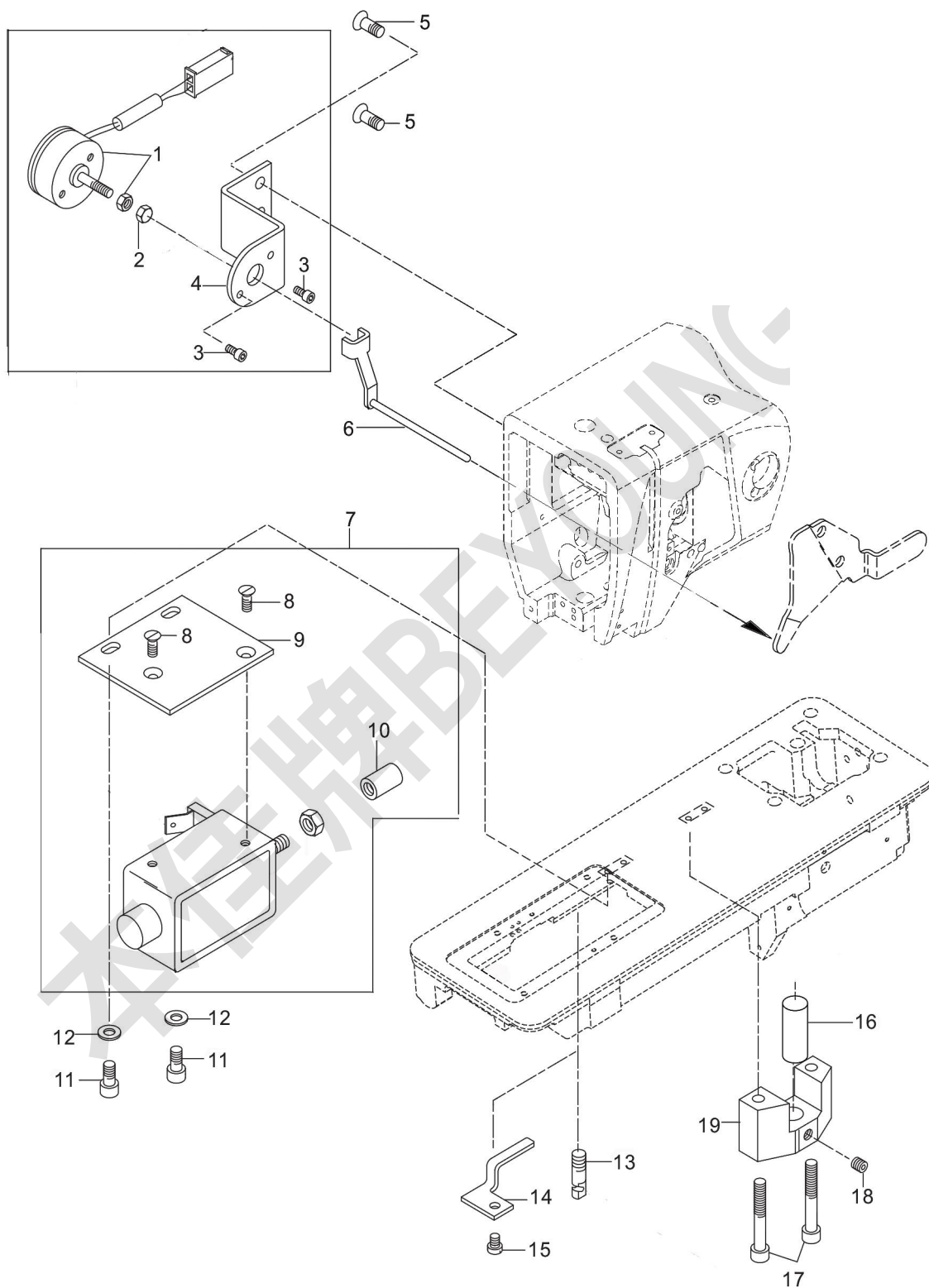
R. Bed plate feed parts 单针中座部件

No.	Part No.	Name	名称	1NEEDLE	2NEEDLE
1	7.02.15.053	Screw	螺钉 GB/T 70.1 M5×12	2	
2	7.02.18.016	Washer	平垫圈	2	
3	7.02.15.030	Screw	螺钉	1	
4	7.02.10.010	Adjusting pin	调整销	1	
5	7.02.15.031	Adjusting pin set screw	调整销紧固螺钉 GB/T 73 M4×10	1	
6	7.02.13.52401	Support plate	单针中座	1	
		Bed plate	大梭中座		
7	7.02.15.965	Screw	螺钉 GB/T 70.1 M6×16	2	
8	7.02.18.003	Washer	垫圈	2	
9	7.02.15.049	Screw	螺钉 GB/T 77 M5×8	2	
10	7.02.08.035	Bushing	套管	2	
11	7.02.03.019	Shaft	中座轴	1	
12	7.02.15.036	Screw	螺钉 M5×3.5	6	
13	7.02.08.016	Bushing	轴连接器	2	
14	7.02.16.004	Plastic joint	塑料接头	1	
15	7.02.08.015	Bushing	送料齿轮套管	1	
16	7.02.09.002	Collar	定环	1	
17	7.02.13.002	Gear bracket	过线齿轮座	1	
18	7.02.15.061	Screw	螺钉 GB/T 77 M3×4	2	
19	7.02.15.035	Screw	螺钉 GB/T 73 M4×6	1	
20	7.02.07.008	Bevel gear (Lower)	送料齿轮（下）	1	
21	7.02.07.007	Bevel gear (Upper)	送料齿轮（上）	1	
22	7.02.07.006	Feed wheel	送料齿	1	
23	7.02.10.004	Roller bracket (Upper)	送料齿轮轴（上）	1	
24	7.02.10.002	Roller bracket (Lower)	轮线轴套前	1	
25	7.02.04.021	Ball (φ2)	钢珠（φ2）	24	
26	7.02.15.034	Screw	螺钉 M2.5×4.5	3	
27	7.02.01.283	Needle plate	单针针板	1	
	7.02.02.588	Needle plate	单针针板		
	7.02.02.589	Needle plate(Big hole)	单针针板（大梭）		
28	7.02.15.032	Needle plate screw	针板螺钉 M4×8	2	
29	7.02.23.113	Small needle plate	小针板	1	
30	7.02.23.114	Small needle plate screw	小针板安装螺钉	2	

R. Bed plate feed parts 单针中座部件



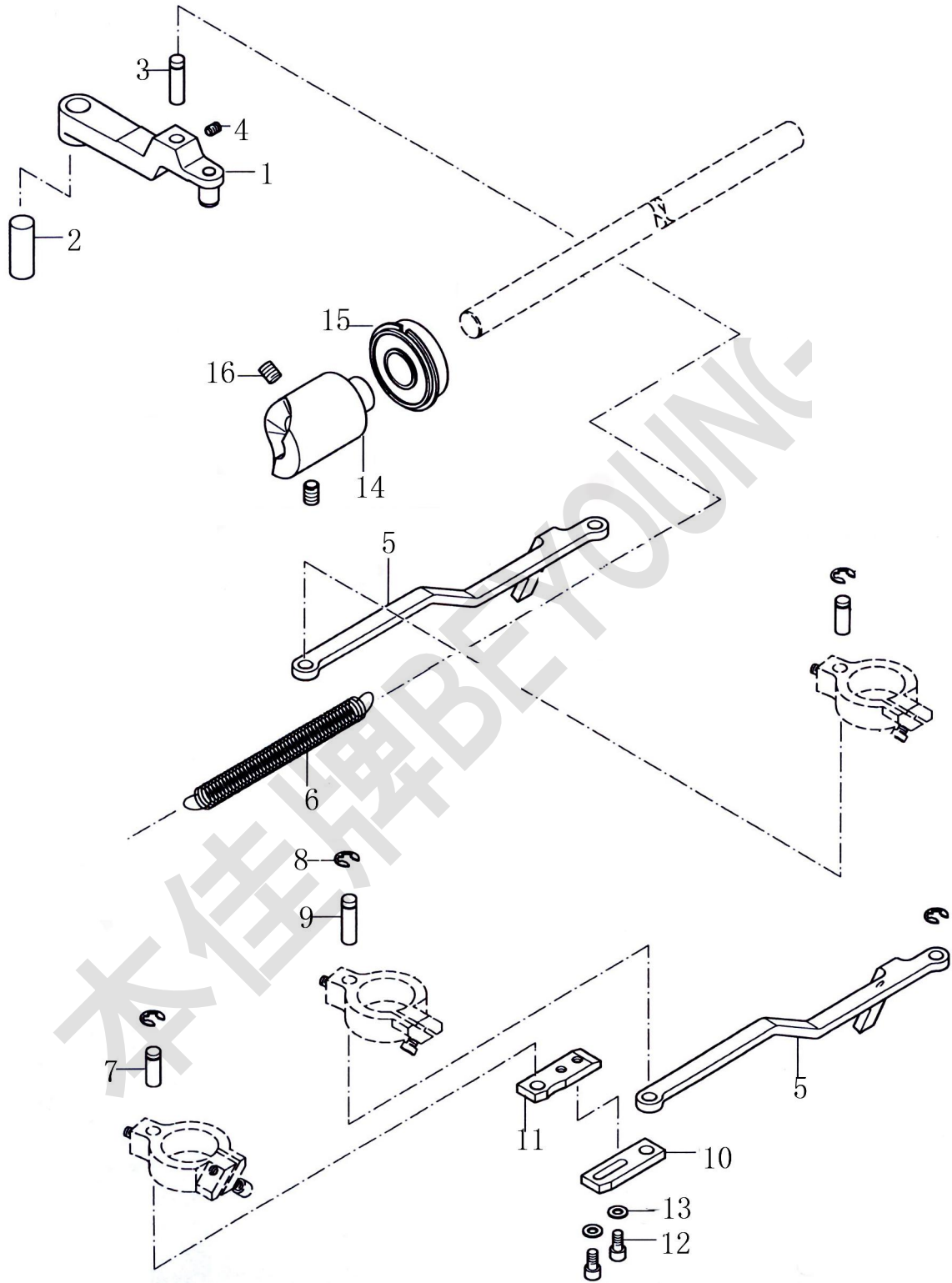
S. Thread trimming solenoid, thread releasing solenoid parts 剪线、松线电磁铁部件



T. Thread trimming driving parts 剪线传动部件

No.	Part No.	Name	名称	1NEEDLE	2NEEDLE
1	7.02.01.286	Thread trimming vibrating lever assy.	剪线摆杆组件	1	1
2	7.02.03.341	Thread trimming vibrating lever shaft	剪线摆杆轴	1	1
3	7.02.10.367	Connecting lever pin (Right)	连杆销 (右) $\phi 6 \times 20$	1	1
4	7.02.15.056	Connecting link pin set screw	连杆销紧定螺钉 GB/T 74 M5×5	1	1
5	7.02.05.364	Thread trimming connecting link	剪线连杆	1	1
6	7.02.17.351	Thread trimming connecting link spring	剪线连杆拉簧	3	3
7	7.02.10.369	Connecting link pin (Left)	连杆销 (左) $\phi 6 \times 15.5$	1	1
8	7.02.18.039	Split retaining ring	开口挡圈 GB/T 896-5	1	1
9	7.02.10.369	Connecting lever pin (Right)	连杆销 (右)		1
10	7.02.11.390	Thread trimming crank connecting plate (Right)	剪线曲柄连接板 (右)		1
11	7.02.11.391	Thread trimming crank connecting plate (Left)	剪线曲柄连接板 (左)		1
12	7.02.15.555	Connecting plate screw	连接板螺钉 GB/T 70.1 M4×8		2
13	7.02.18.071	Washer	垫圈 GB/T 97.1 4		2
14	7.02.06.277	Thread trimming cam	剪线凸轮组	1	1
15	7.02.04.012	Bearing	轴承	1	1
16	7.02.15.050	Screw	螺钉 M6×0.75×8	1	1
17	7.02.15.056	Screw	螺钉 GB/T 77 M5×5	2	2
18	7.02.09.079	Washer	垫圈	1	1

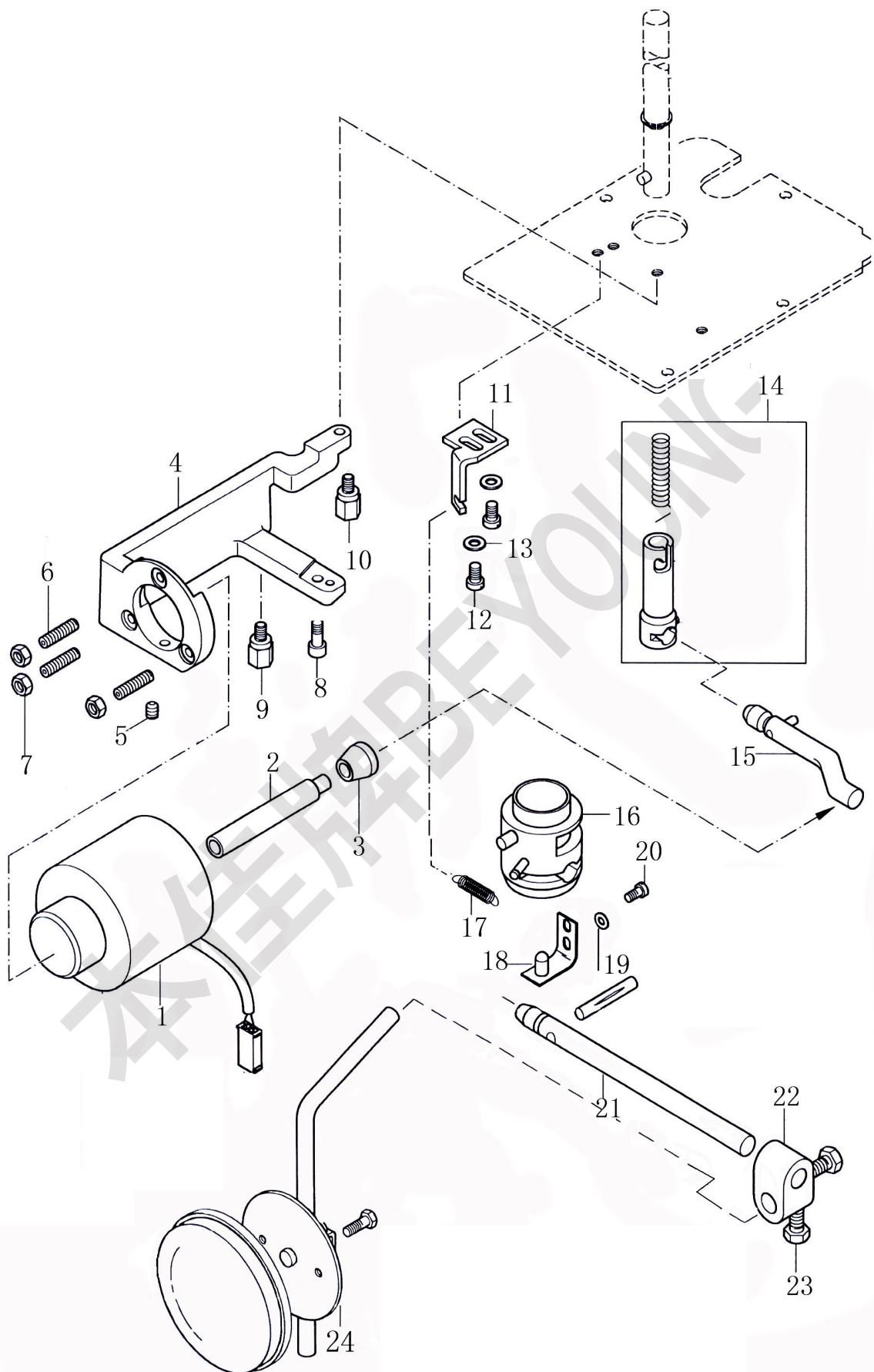
T. Thread trimming driving parts 剪线传动部件



U. Presser foot lifting solenoid parts 压脚提升电磁铁部件

No.	Part No.	Name	名称	1NEEDLE	2NEEDLE
1	7.02.19.346	Presser foot lifting solenoid	压脚提升电磁铁	1	1
2	7.02.03.422	Link	电磁铁连接杆	1	1
3	7.02.16.411	Joint	接头	1	1
4	7.02.13.372	Solenoid fixed seat	电磁铁固定座	1	1
5	7.02.15.057	Locking screw	锁紧螺钉 GB/T 77 M6×8	1	1
6	7.02.15.966	Screw	螺钉 GB/T 77 M6×25	3	3
7	7.02.15.067	Nut	螺母 GB/T 6170 M6	3	3
8	7.02.15.053	Screw	固定座螺钉 GB/T 70.1 M5×12	2	2
9	7.02.10.450	Support screw	支撑螺钉 M5×17	1	1
10	7.02.10.451	Support screw (Short)	支撑螺钉 (短)	1	1
11	7.02.13.373	Spring fixed plate	弹簧固定板	1	1
12	7.02.15.044	Screw	螺钉 GB/T 65 M5×8	2	2
13	7.02.18.016	Washer	垫圈 GB/T 97.1 5	2	2
14	7.02.13.374	Knee lever Coupling	膝控连接座	1	1
15	7.02.13.376	Knee lever link	膝控连接杆	1	1
16	7.02.13.375	Knee lever joint assy.	膝控接头组件	1	1
17	7.02.17.414	Spring	拉簧	1	1
18	7.02.17.415	Elastic slice assy.	弹片组	1	1
19	7.02.18.071	Washer	垫圈	2	2
20	7.02.15.432	Screw	螺钉	2	2
21		Knee lever Rod	脚押轴		
22		Connector	连接头		
23		Screw	螺钉		
24	7.02.21.461	Knee lever assy.	脚弓轴组		

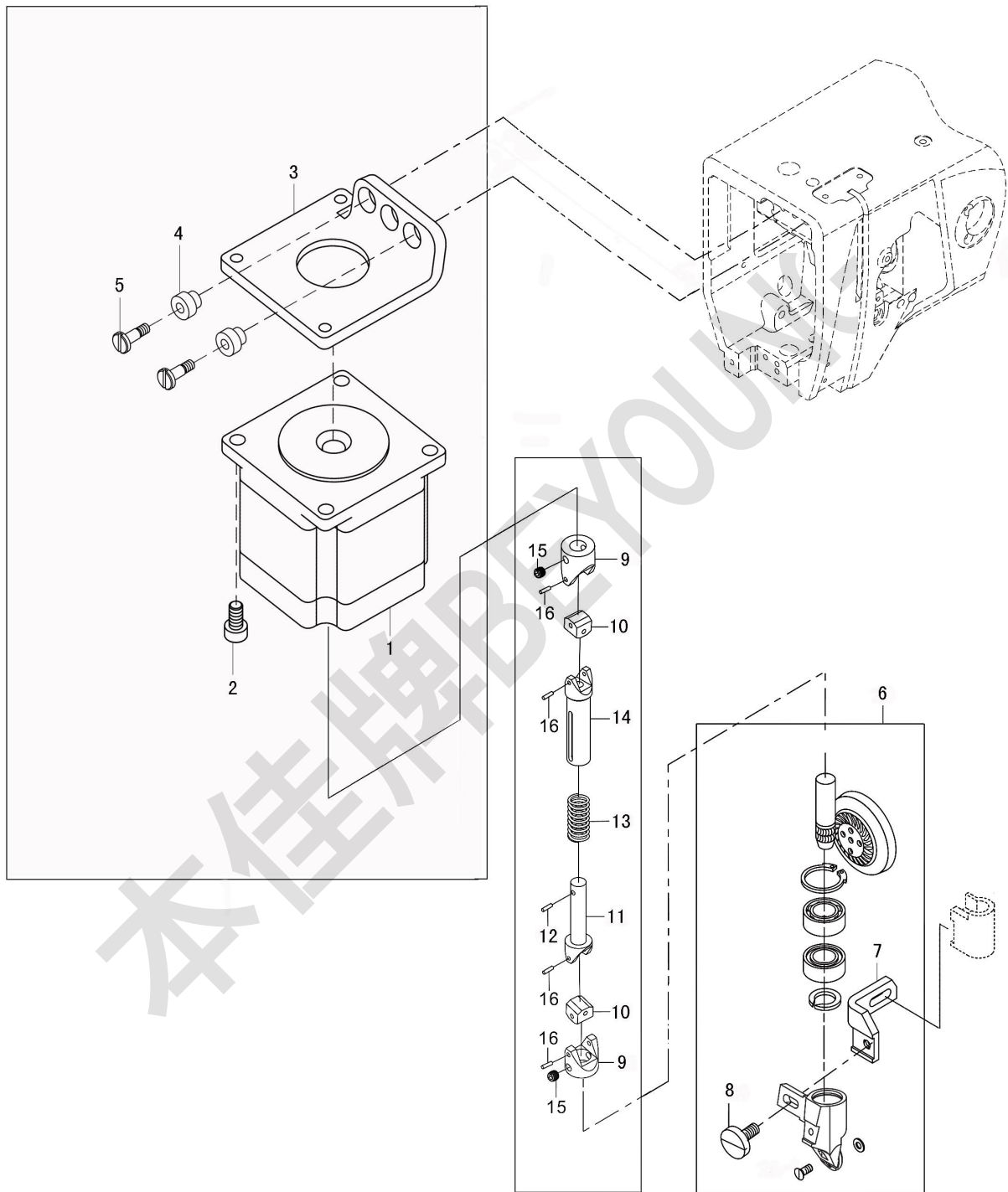
U. Presser foot lifting solenoid parts 压脚提升电磁铁部件



V. Upper feed parts for 1 needle 上送料部件（单针）

No.	Part No.	Name	名称	1NEEDLE	2NEEDLE
1		Upper feed step motor	上送料步进电机	1	
2	7.02.15.803	Motor mounting screw	电机安装螺钉	3	
3	7.02.11.628	Motor fixed plate	电机固定板	1	
4	7.02.16.568	Rubber washer	橡胶垫圈	2	
5	7.02.15.1097	Screw	固定板安装螺钉	2	
6	7.02.02.670	Roller presser foot	滚轮压脚	1	
7	7.02.05.002	Connecting holder	轮线连接座	1	
8	7.02.15.011	Screw	螺钉	1	
9		Connector	万向连接头		
10		Connecting block	万向连接块		
11		Connecting shaft	万向连接轴		
12		Pin	导向销		
13		Spring	弹簧		
14		Connecting lever	万向连接杆		
15		Screw	螺钉		
16		Connecting pin	万向连接销		
17	7.02.01.376	Connecting lever assy.	万向连接杆组件	1	

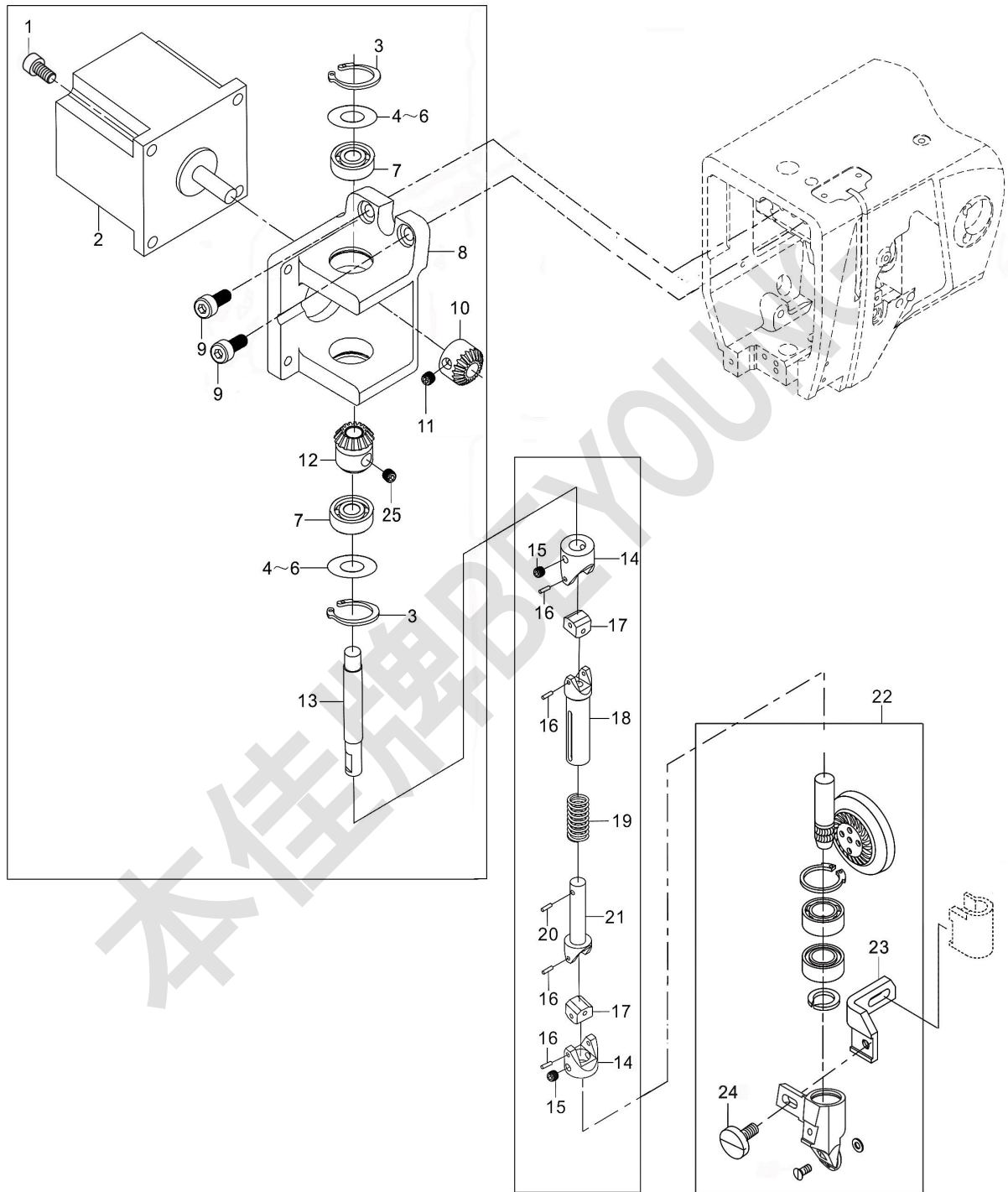
V. Upper feed parts for 1 needle 上送料部件 (单针)



W. Upper feed parts for 2 needle 上送料部件（双针）

No.	Part No.	Name	名称	1NEEDLE	2NEEDLE
1		Screw	螺钉		3
2		Upper feed step motor	上送料步进电机		1
3		Retaining ring	挡圈		2
4		Adjusting washer 0.15	调节垫片 0.15		1
5		Adjusting washer 0.30	调节垫片 0.3		1
6		Adjusting washer 0.50	调节垫片 0.5		1
7		Bearing	轴承		2
8		Upper feed support seat	上送料支座		1
9		Screw	螺钉		2
10		Driven gear II	传动齿轮 II		1
11		Screw	螺钉		2
12		Driven gear I	传动齿轮 I		1
13		Turning shaft	转轴		1
14		Connector	万向连接头		2
15		Screw	螺钉		2
16		Connecting pin	万向连接销		4
17		Connecting block	万向连接块		2
18		Connecting lever	万向连接杆		1
19		Spring	弹簧		1
20		Pin	导向销		1
21		Connecting shaft	万向连接轴		1
22		Roller presser foot	滚轮压脚		1
23		Connecting seat	轮线连接座		1
24		Screw	螺钉		1
25		Screw	螺钉		2

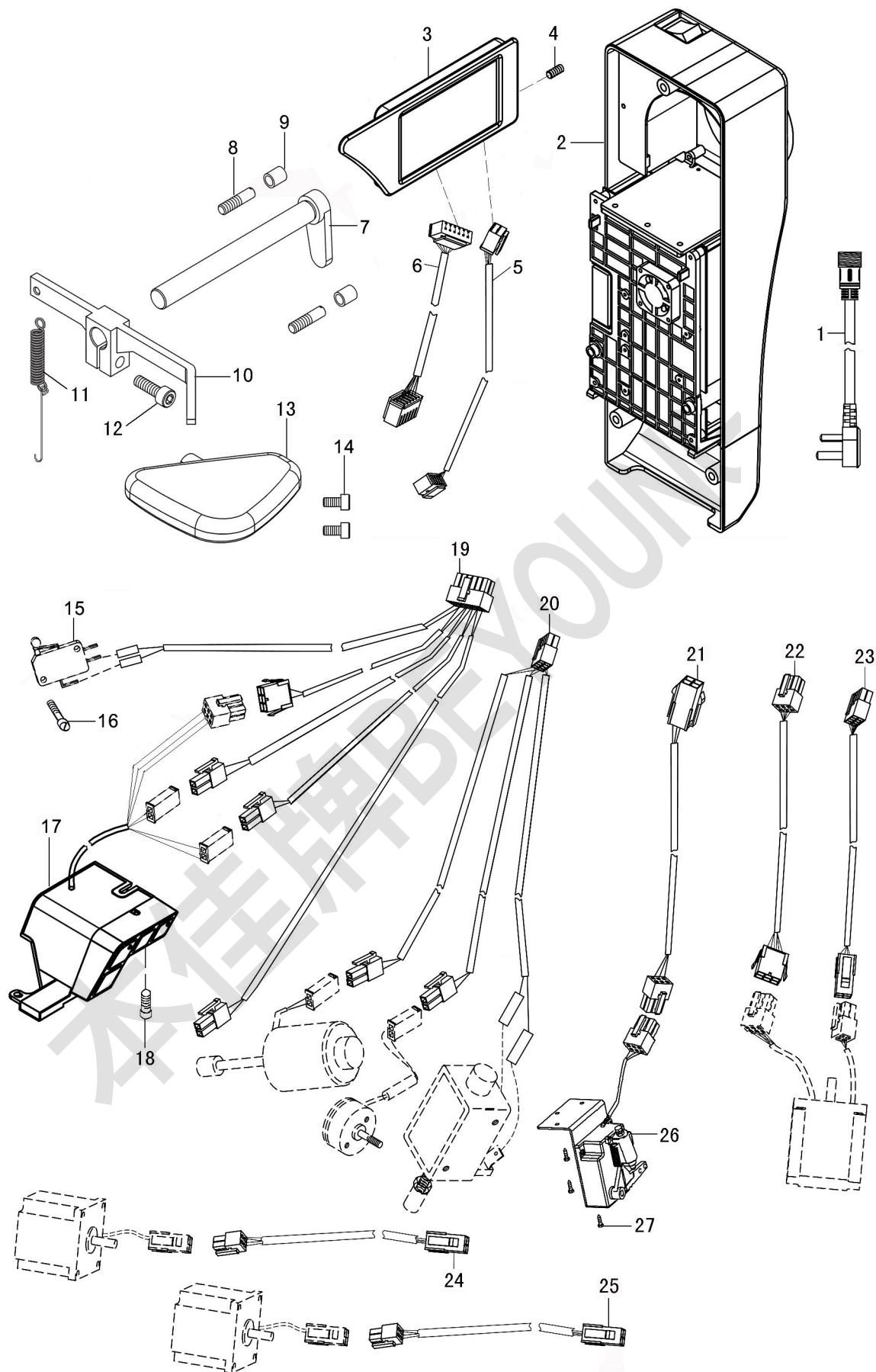
W. Upper feed parts for 2 needle 上送料部件 (双针)

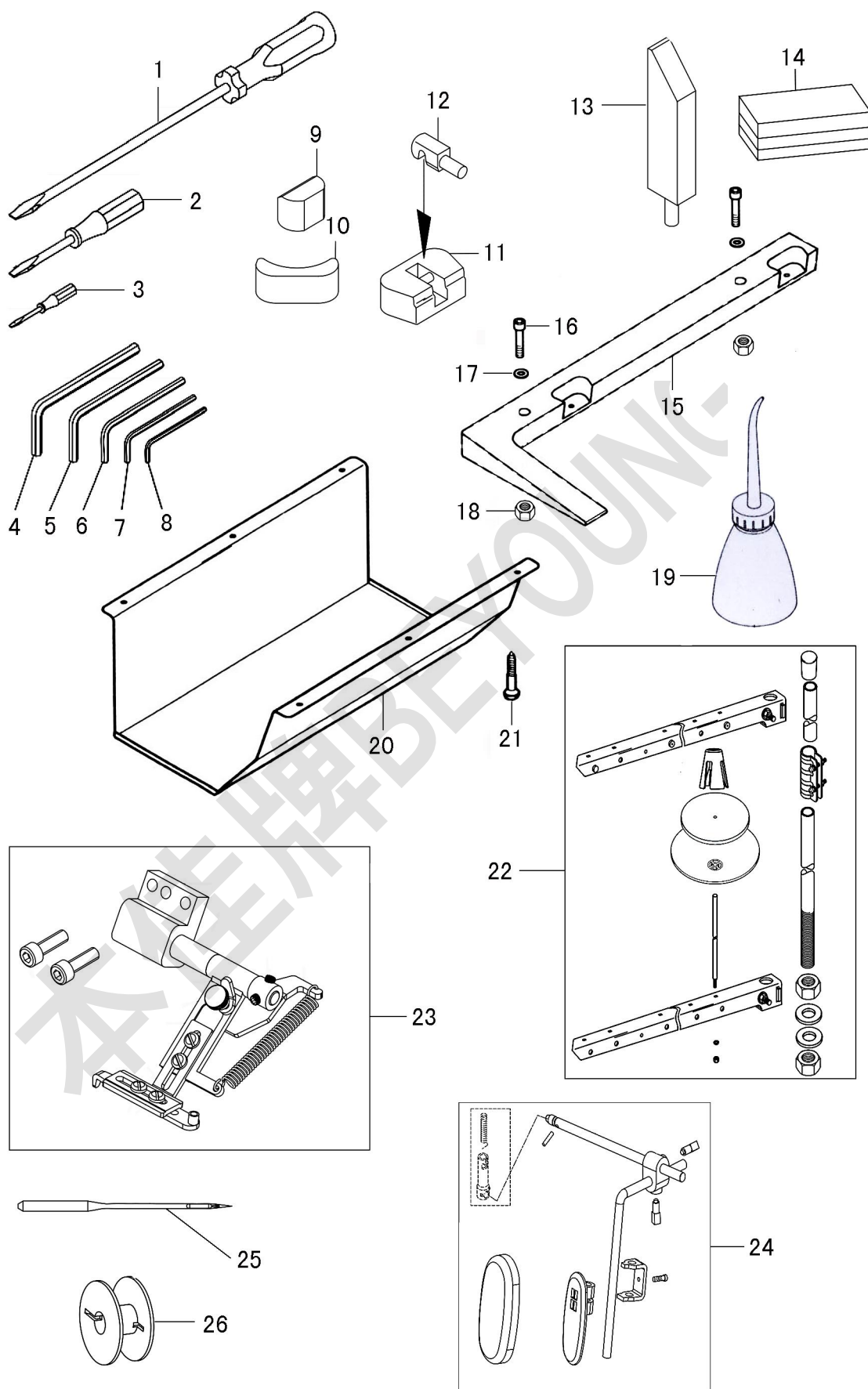


X. Electric control, backstitch lever parts 电控及倒缝扳手部件

No.	Part No.	Name	名称	1NEEDLE	2NEEDLE
1		Power transfer line	电源转接线	1	1
2		Control box	电控箱	1	1
3	7.02.16.566	Touch screen panel	液晶面板	1	1
4	7.02.15.047	Screw	面板紧固螺钉	3	3
5		Panel pick-up pin box transfer line	面板选针盒转接线	1	1
6		Panel burning transfer line	面板烧录转接线	1	1
7	7.02.05.596	Backstitch lever shaft	倒缝扳手轴	1	1
8	7.02.15.988	Backstitch lever restrict screw	倒缝扳手限位螺钉	2	2
9		Plastic bushing	塑料套	2	2
10	7.02.05.595	Backstitch lever	倒缝扳手	1	1
11	7.02.17.351	Replacement spring	复位弹簧	1	1
12	7.02.15.096	Screw	螺钉	1	1
13	7.02.16.562	Backstitch lever handle	倒缝扳手手柄	1	1
14	7.02.15.066	Screw	螺钉	2	2
15	7.02.19.212	Backstitch switch	倒缝开关	1	1
16	7.02.15.802	Screw	螺钉 M3x13	2	2
17	7.02.19.395	Head light assy.	机头灯组件	1	1
18	7.02.15.063	Screw	螺钉	2	2
19		Head light transfer line	机头灯转接线	1	1
20		Solenoid transfer line	电磁铁转接线	1	1
21		Pedal transfer line	踏板转接线	1	1
22		Vibrating needle step encoder line	摆针步进编码器线	1	1
23		Vibrating needle step transfer line	摆针步进转接线	1	1
24		Upper feed step transfer line	上送料步进转接线	1	1
25		Lower feed step transfer line	下送料步进转接线	1	1
26		Pedal	踏板	1	1
27	7.02.21.034	Pedal mounting screw	踏板安装螺钉	3	3
28	7.02.15.520	Spring hanger	弹簧挂钩	1	1

X. Electric control, backstitch lever parts 电控及倒缝扳手部件

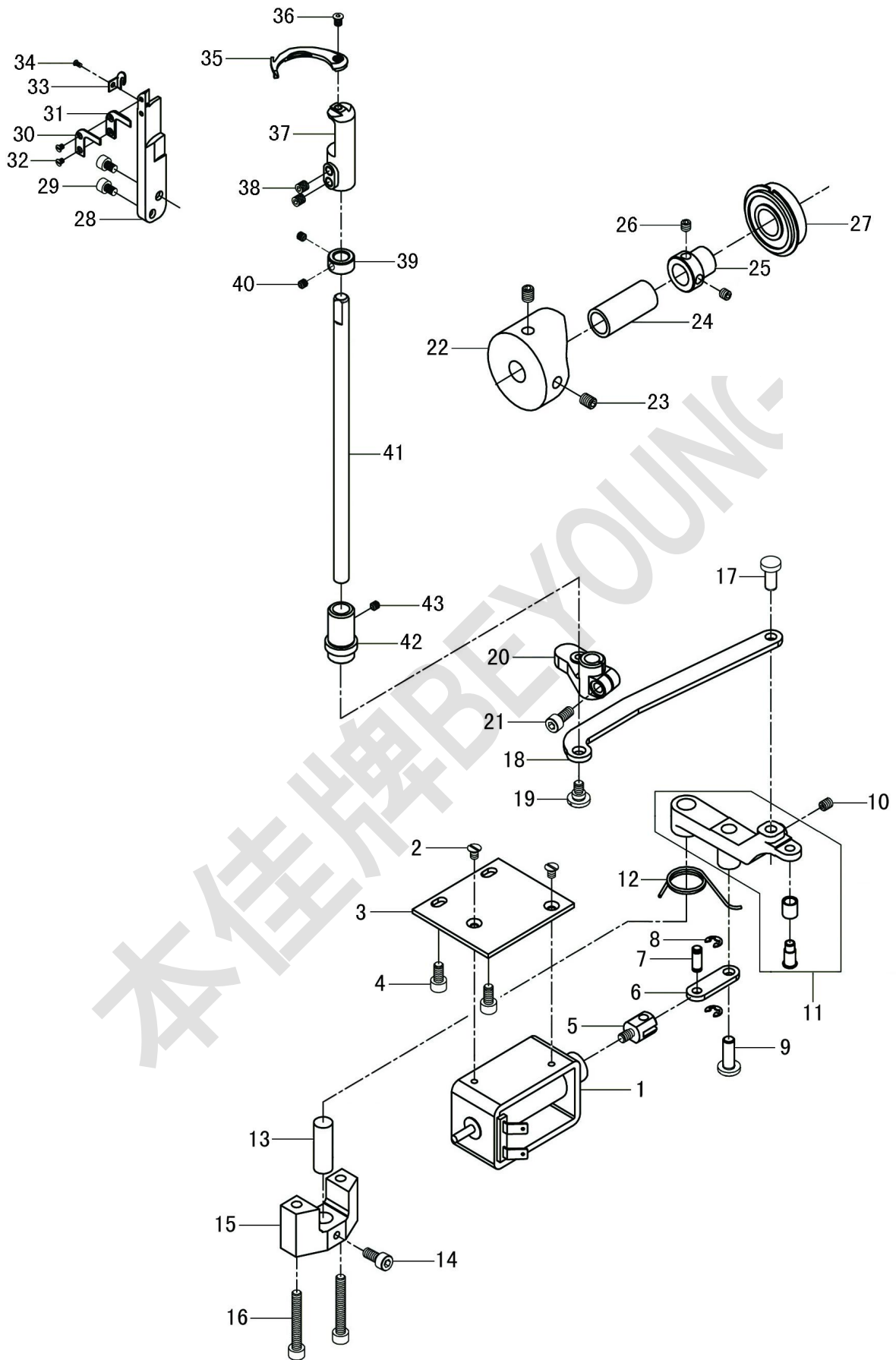




THREAD TRIMMING MECHANISM(Big hole)剪线机构 (大梭)

No.	Part No.	Fig. No.	Name	Qty	Remark
1	7.02.19.391	AG2810-01	Thread trimming solenoid	1	
2	7.02.15.797	AG2110-02	Screw	2	M4×6
3	7.02.11.387	AG2110-03	Fixed plate	1	
4	7.02.15.803	AG2110-04	Fixed plate screw	2	GB/T70.1 M5×10
5	7.02.05.528	AG2810-16	Thread trimming solenoid joint	1	
6	7.02.11.601	AG2810-15	Solenoid connecting plate	1	
7	7.02.10.546	AG2810-17	Solenoid connecting pin	1	
8	7.02.18.031	RE000040	Split retaining ring	2	GB/T896 4
9	7.02.10.367	AG2110-14	Connecting lever pin	1	∅6×21
10	7.02.15.056	ZMH05002	Screw	2	M5×5
11	7.02.05.525	AG2810-08	Thread trimming vibrating lever assy.	1	
12	7.02.17.490	AG2810-18	Spring	1	
13	7.02.03.341	AG2110-09	Thread trimming vibrating lever shaft	1	
14	7.02.15.908	GL04-14-1	Screw	1	
15	7.02.13.293	AG2110-11	Thread trimming vibrating lever seat	1	
16	7.02.15.798	AG2110-12	Screw	2	M5×30
17	7.02.10.369	AG2110-19	Connecting lever pin	1	∅6×15.5
18	7.02.05.526	AG2810-13	Thread trimming connecting lever	1	
19	7.02.15.1091	AG2810-19	Screw	1	
20	7.02.06.471	AG2810-20	Thread trimming crank	1	
21	7.02.15.053	ZMJ05002	Screw	1	GB/T70.1 M5×12
22	7.02.06.470	AG2810-06	Thread trimming cam	1	
23	7.02.15.050	ZMH06002	Screw	2	M6×0.75×8
24	7.02.09.165	AG2810-07	Cam gap ring	1	
25	7.02.08.010	J4321-0A	Bearing bushing (left)	1	
26	7.02.15.056	ZMH05002	Screw	2	M5×5
27	7.02.04.012	BB620ZZ	Bearing	1	6202-2ZNR
28	7.02.13.451	AG2810-22	Fixed knife seat	1	
29	7.02.15.1092	AG2810-23	Screw	2	GB/T70.1 M4×6
30	7.02.20.083	AG2810-25	Thread guard plate	1	
31	7.02.20.080	AG2810-26	Fixed knife	1	
32	7.02.15.1093	AG2810-27	Screw	2	
33	7.02.20.081	AG2810-29	Thread tension plate	1	
34	7.02.15.1094	AG2810-30	Screw	1	
35	7.02.20.082	AG2810-31	Movable knife	1	
36	7.02.15.1095	AG2810-32	Screw	1	
37	7.02.13.452	AG2810-33	Movable knife seat	1	
38	7.02.15.056	ZMH05002	Screw	2	M5×5
39	7.02.09.166	AG2810-38	Collar	1	
40	7.02.15.1096	AG2810-39	Screw	2	M4×3
41	7.02.03.506	AG2810-35	Movable knife shaft	1	
42	7.02.08.544	AG2810-36	Movable knife shaft bushing	1	
43	7.02.15.047	ZMH04001	Screw	1	M4×4

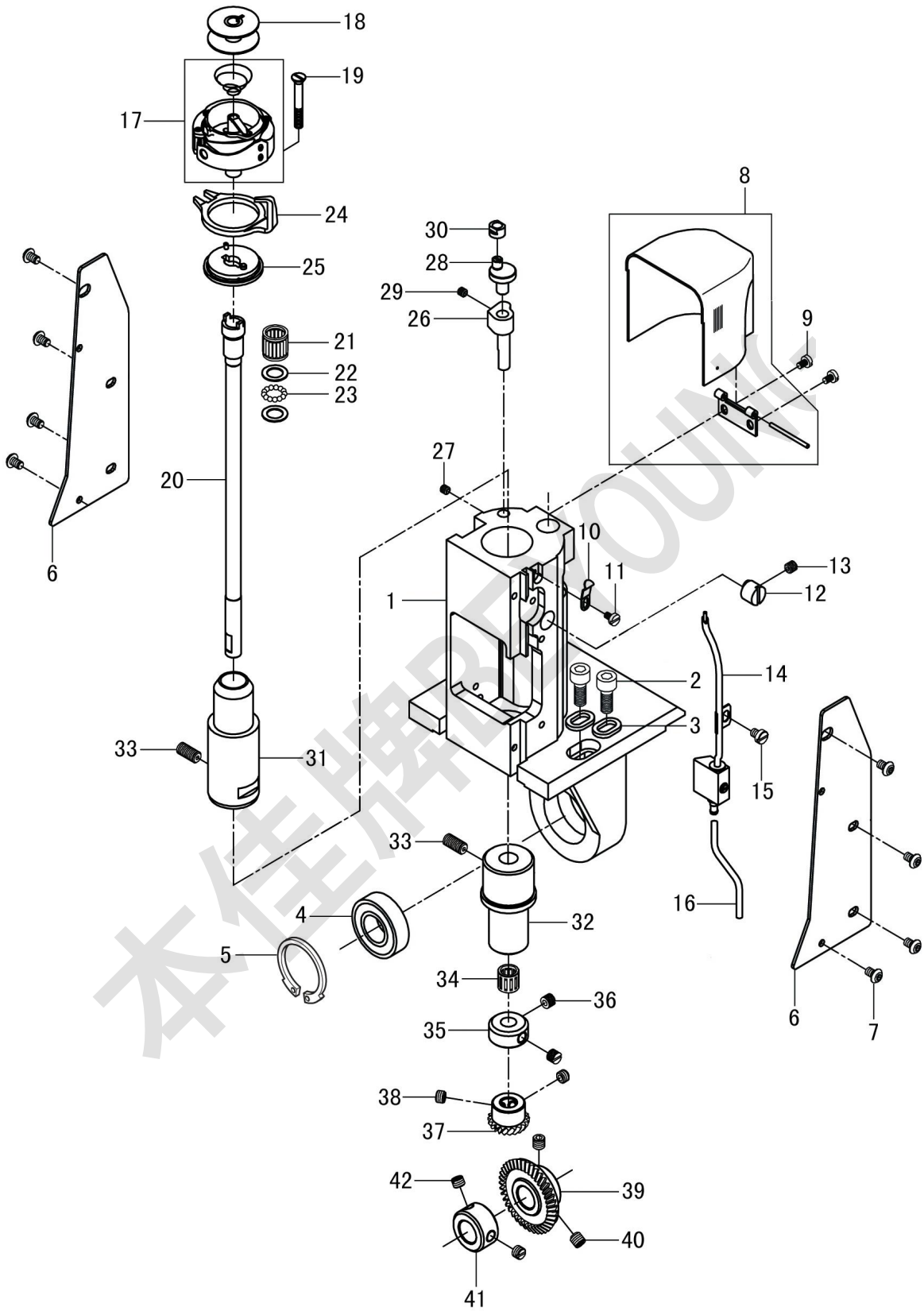
THREAD TRIMMING MECHANISM(Big hole)剪线机构（大梭）



RIGHT SIDE BRACKET MECHANISM (Big hole) 右边座机构 (大梭)

No.	Part No.	Fig. No.	Name	Qty	Remark
1	7.02.13.45001	AG2808-16	Single needle side bracket	1	
2	7.02.15.965		Screw	2	
3	7.02.18.003		Washer	2	
4	7.02.04.110	AG2108-11	Ball bearing	2	6001-2Z
5	7.02.18.250	AG2108-15	Elastic retaining ring	2	28
6	7.02.11.60001	AG2808-19	Side cover	2	
7	7.02.15.973		Screw	8	
8	7.02.02.590	AG2808-21	Post cap assy.	1	
9	7.02.15.973		Screw	2	
10	7.02.17.420	AG2108-23	Spring plate	1	
11	7.02.15.433		Screw	1	
12	7.02.10.011		Adjusting pin	1	
13	7.02.15.056		Screw	1	
14	7.02.16.514	AG2809-51	Hook oil supply valve assy.	1	
15	7.02.15.022		Screw	1	M4×4.5
16	7.02.16.047		Oil tube	1	
17	7.02.02.591	AG2809-01	Hook assy.	1	
18	7.02.21.567	AG2809-02	Bobbin	1	
19	7.02.15.1090	AG2809-03	Screw	1	
20	7.02.03.505	AG2809-04	Hook shaft	1	
21	7.02.04.200	AG2809-05	Needle bearing	1	K10×13×13
22	7.02.18.410	AG2809-06	Washer	2	
23	7.02.04.100		Ball	13	2.5
24	7.02.02.592	AG2809-11	Rotating hook opener	1	
25	7.02.08.540	AG2809-12	Rotating hook opener eccentric bracket	1	
26	7.02.08.541	AG2809-13	Rotating hook opener bracket	1	
27	7.02.15.047	ZMH04001	Screw	1	M4×4
28	7.02.10.545	AG2809-15	Adjusting pin	1	
29	7.02.15.047	ZMH04001	Screw	1	M4×4
30	7.02.12.320	AG2809-17	Slide block	1	
31	7.02.08.542	AG2809-18	Bushing (Upper)	1	
32	7.02.08.543	AG2809-19	Bushing (Lower)	1	
33	7.02.15.064	ZMH06005	Screw	2	GB/T70.1 M6×12
34	7.02.04.009	BN081110	Needle bearing	1	K 8×11×10
35	7.02.09.115	91-175 328-92	Retaining ring	1	
36	7.02.15.054	ZMH06007	Screw	2	M6×0.75×5
37	7.02.07.011	J4025-0A	Gear (Small)	1	
38	7.02.15.054	ZMH06007	Screw	2	M6×0.75×5
39	7.02.07.012	J4026-0A	Gear (Large)	1	
40	7.02.15.050	ZMH06002	Screw	2	M6×0.75×8
41	7.02.09.007	J4014-0A	Collar	1	
42	7.02.15.054	ZMH06007	Screw	2	M6×0.75×5

RIGHT SIDE BRACKET MECHANISM (Big hole) 右边座机构 (大梭)



本佳牌BEYOUNG

本佳牌BEYOUNG

本佳牌BEYOUNG